

Regulation No. XXX

Uniform provisions concerning the approval of vehicles of category L with regard to specific requirements for the electric power train

Contents

Page

Regulation

|     |  |  |
|-----|--|--|
| 1.  | Scope .....  |  |
| 2.  | Definitions.....   |  |
| 3.  | Application for approval .....   |  |
| 4.  | Approval. ....   |  |
| 5.  | Part I: Requirements of a vehicle with regard to its electrical safety .....   |  |
| 6.  | Part II: Requirements of a Rechargeable Energy Storage System (REESS) with regard to its safety .....                      |  |
| 7.  | Modifications and extension of the type approval .....   |  |
| 8.  | Conformity of production.....  |  |
| 9.  | Penalties for non-conformity of production .....   |  |
| 10. | Production definitively discontinued .....   |  |
| 11. | Names and addresses of Technical Services responsible for conducting approval tests and of Type Approval Authorities ..... |  |

Annexes

|    |   |  |
|----|---|--|
| 1  | Part 1 - Communication concerning the approval or extension or refusal or withdrawal of approval or production definitively discontinued of a vehicle type with regard to its electrical safety pursuant to Regulation No. [XXX].....   |  |
| 1  | Part 2 - Communication concerning the approval or extension or refusal or withdrawal of approval or production definitively discontinued of a REESS type as component/separate technical unit ... pursuant to Regulation No. [XXX]..... |  |
| 2  | Arrangements of the approval marks .....  |  |
| 3  | Protection against direct contacts of parts under voltage .....   |  |
| 4A | Isolation resistance measurement method for vehicle based tests.....  |  |
| 4B | Isolation resistance measurement method for component based tests of a REESS.....   |  |
| 5  | Confirmation method for function of on-board isolation resistance monitoring system .....   |  |
| 6  | Part 1 - Essential characteristics of road vehicles or systems .....  |  |
| 6  | Part 2 - Essential characteristics of REESS .....   |  |
| 6  | Part 3- Essential characteristics of road vehicles or systems with chassis connected to electrical circuits .....   |  |

- 7 Determination of hydrogen emissions during the charge procedures of the REESS .....
- Appendix 1 - Calibration of equipment for hydrogen emission testing.....
- Appendix 2 - Essential characteristics of the vehicle family.....
- 8 REESS test procedures.....
- Appendix 1 - Procedure for conducting a standard cycle.....
- 8A Vibration test.....
- 8B Thermal shock and cycling test .....
- 8C Mechanical Drop Test for removable REESS .....
- 8D Mechanical shock resulting from stationary vehicle fall-down .....
- 8E Fire resistance.....
- Appendix 1 - Dimension and technical data of firebricks .....
- 8F External short circuit protection .....
- 8G Overcharge protection.....
- 8H Over-discharge protection.....
- 8I Over-temperature protection .....
- 9A Withstand voltage test.....
- 9B Protection against ingress of water .....

## 1. Scope

- 1.1. Part I: Safety requirements with respect to the electric power train of vehicles of categories L with a maximum design speed exceeding 6 km/h, equipped with one or more traction motor(s) operated by electric power and not permanently connected to the grid, as well as their high voltage components and systems which are galvanically connected to the high voltage bus of the electric power train.

Part I of this regulation does not cover post-crash safety requirements of road vehicles.

- 1.2. Part II: Safety requirements with respect to the Rechargeable Energy Storage System (REESS), of vehicles of categories **L1** with a maximum design speed exceeding 6 km/h, equipped with one or more traction motors operated by electric power and not permanently connected to the grid.

Part II of this Regulation does not apply to REESS(s) whose primary use is to supply power for starting the engine and/or lighting and/or other vehicle auxiliaries systems.

## 2. Definitions

For the purpose of this Regulation the following definitions apply:

- 2.1. "*Active driving possible mode*" means the vehicle mode when application of pressure to the accelerator pedal (or activation of an equivalent control) or release of the brake system will cause the electric power train to move the vehicle.
- 2.2. "*Barrier*" means the part providing protection against direct contact to the live parts from any direction of access.
- 2.3. "*Basic insulation*" means insulation applied to live parts for protection against direct contact under fault-free conditions.
- 2.4. "*Cell*" means a single encased electrochemical unit containing one positive and one negative electrode which exhibits a voltage differential across its two terminals.
- 2.5. "*Chassis connected to the electric circuit*" means AC and DC electric circuits galvanically connected to the electrical chassis.
- 2.6. "*Conductive connection*" means the connection using connectors to an external power supply when the rechargeable energy storage system (REESS) is charged.
- 2.7. "*Coupling system for charging the Rechargeable Energy Storage System (REESS)*" means the electrical circuit used for charging the REESS from an external electric power supply including the vehicle inlet or a permanently affixed charging cable.
- 2.8. "*C Rate*" of "*n C*" is defined as the constant current of the tested-device, which takes 1/n hours to charge or discharge the tested-device between 0 per cent of the state of charge and 100 per cent of the state of charge.
- 2.9. "*Direct contact*" means the contact of persons with live parts.

- 2.10. "*Double insulation*" means insulation comprising both basic insulation and supplementary insulation.
- 2.11. "*Electrical chassis*" means a set made of conductive parts electrically linked together, whose potential is taken as reference.
- 2.12. "*Electrical circuit*" means an assembly of connected live parts which is designed to be electrically energized in normal operation.
- 2.13. "*Electric energy conversion system*" means a system that generates and provides electric energy for electric propulsion.
- 2.14. "*Electric power train*" means the electrical circuit which includes the traction motor(s), and may include the REESS, the electric energy conversion system, the electronic converters, the associated wiring harness and connectors, and the coupling system for charging the REESS.
- 2.15. "*Electronic converter*" means a device capable of controlling and/or converting electric power for electric propulsion.
- 2.16. "*Enclosure*" means the part enclosing the internal units and providing protection against direct contact from any direction of access.
- 2.17. "*Exposed conductive part*" means the conductive part which can be touched under the provisions of the protection IPXXB, and which becomes electrically energized under isolation failure conditions. This includes parts under a cover that can be removed without using tools.
- 2.18. "*Explosion*" means the sudden release of energy sufficient to cause pressure waves and/or projectiles that may cause structural and/or physical damage to the surrounding of the tested-device.
- 2.19. "*External electric power supply*" means an alternating current (AC) or direct current (DC) electric power supply outside of the vehicle.
- 2.20. "*High Voltage*" means the classification of an electric component or circuit, if its working voltage is  $> 60 \text{ V}$  and  $\leq 1500 \text{ V DC}$  or  $> 30 \text{ V}$  and  $\leq 1000 \text{ V AC}$  root mean square (rms).
- 2.21. "*Fire*" means the emission of flames from a tested-device. Sparks and arcing shall not be considered as flames.
- 2.22. "*Flammable electrolyte*" means an electrolyte that contains substances classified as Class 3 "flammable liquid" under "UN Recommendations on the Transport of Dangerous Goods – Model Regulations (Revision 17 from June 2011), Volume I, Chapter 2.3"<sup>1</sup>
- 2.23. "*High voltage bus*" means the electrical circuit, including the coupling system for charging the REESS that operates on high voltage.

Where electrical circuits, that are galvanically connected to each other, are galvanically connected to the electrical chassis and the maximum voltage between any live part and the electrical chassis or any exposed conductive part is  $\leq 30 \text{ V AC}$  and  $\leq 60 \text{ V DC}$ , only the components or parts of the electric circuit that operate on high voltage are classified as a high voltage bus.

<sup>1</sup> [www.unecce.org/trans/danger/publi/unrec/rev17/17files\\_e.html](http://www.unecce.org/trans/danger/publi/unrec/rev17/17files_e.html)

- 2.24. "*Indirect contact*" means the contact of persons with exposed conductive parts.
- 2.25. "*Live parts*" means the conductive part(s) intended to be electrically energized in normal use.
- 2.26. "*Luggage compartment*" means the enclosed space in the vehicle intended for luggage accommodation.
- 2.27. "*Manufacturer*" means the person or body who is responsible to the approval authority for all aspects of the type approval process and for ensuring conformity of production. It is not essential that the person or body be directly involved in all stages of the construction of the vehicle, system or component which is the subject of the approval process.
- 2.28. "*On-board isolation resistance monitoring system*" means the device which monitors the isolation resistance between the high voltage buses and the electrical chassis.
- 2.29. "*Open type traction battery*" means a liquid type battery requiring refilling with water and generating hydrogen gas released to the atmosphere.
- 2.30. "*Passenger compartment*" means the space for occupant accommodation, bounded by at least 4 of the following: the roof, floor, side walls, doors, window glass, front bulkhead and rear bulkhead, or rear gate, as well as by the barriers and enclosures provided for protecting the occupants from direct contact with live parts.
- 2.31. "*Protection degree*" means the protection provided by a barrier/enclosure related to the contact with live parts by a test probe, such as a test finger (IPXXB) or a test wire (IPXXD), as defined in Annex 3.
- 2.32. "*Rechargeable Energy Storage System (REESS)*" means the rechargeable energy storage system that provides electric energy for electric propulsion.  
The REESS may include subsystem(s) together with the necessary ancillary systems for physical support, thermal management, electronic control and enclosures.
- 2.33. "*Reinforced insulation*" means insulation of live parts for protection against electric shock equivalent to double insulation. Insulation may comprise several layers which cannot be tested individually as supplementary or basic insulation.
- 2.34. "*Removable REESS*" means a REESS that by design can be taken out from the vehicle by the vehicle user for off-board charging.
- 2.35. "*Rupture*" means opening(s) through the casing of any functional cell assembly created or enlarged by an event, large enough for a 12 mm diameter test finger (IPXXB) to penetrate and make contact with live parts (see Annex 3).
- 2.36. "*Service disconnect*" means the device for deactivation of the electrical circuit when conducting checks and services of the REESS, fuel cell stack, etc.
- 2.37. "*State of Charge (SOC)*" means the available electrical charge in a tested-device expressed as a percentage of its rated capacity.
- 2.38. "*Solid insulator*" means the insulating coating of wiring harnesses provided in order to cover and protect the live parts against direct contact from any

direction of access; covers for insulating the live parts of connectors, and varnish or paint for the purpose of insulation.

- 2.39. "Subsystem" means any functional assembly of REESS components.
- 2.40. "Supplementary insulation" means independent insulation applied in addition to basic insulation for protection against electric shock in the event of a failure of the basic insulation.
- 2.41. "Tested device" means either the complete REESS or the subsystem of a REESS that is subjected to the tests prescribed by this Regulation.
- 2.42. "Type of REESS" means systems which do not differ significantly in such essential aspects as:
- (a) The manufacturer's trade name or mark;
  - (b) The chemistry, capacity and physical dimensions of its cells;
  - (c) The number of cells, the mode of connection of the cells and the physical support of the cells;
  - (d) The construction, materials and physical dimensions of the casing and
  - (e) The necessary ancillary devices for physical support, thermal management and electronic control.
- 2.43. "Vehicle type" means vehicles which do not differ in such essential aspects as:
- (a) Installation of the electric power train and the galvanically connected high voltage bus;
  - (b) Nature and type of electric power train and the galvanically connected high voltage components.
- 2.44. "Withstand voltage" means voltage to be applied to a specimen under prescribed test conditions which does not cause breakdown and/or flashover of a satisfactory specimen.
- 2.45. "Working voltage" means the highest value of an electrical circuit voltage root-mean-square (rms), specified by the manufacturer, which may occur between any conductive parts in open circuit conditions or under normal operating condition. If the electrical circuit is divided by galvanic isolation, the working voltage is defined for each divided circuit, respectively.

### 3. Application for approval

- 3.1. Part I: Approval of a vehicle type with regard to its electrical safety, including the High Voltage System
- 3.1.1. The application for approval of a vehicle type with regard to specific requirements for the electric power train shall be submitted by the vehicle manufacturer or by his duly accredited representative.
- 3.1.2. It shall be accompanied by the under-mentioned documents in triplicate and following particulars:
- 3.1.2.1. Detailed description of the vehicle type as regards the electric power train and the galvanically connected high voltage bus.

- 3.1.2.2. For vehicles with REESS, additional evidence showing that the REESS is in compliance with the requirements of paragraph 6. of this Regulation.
- 3.1.3. A vehicle representative of the vehicle type to be approved shall be submitted to the Technical Service responsible for conducting the approval tests and, if applicable, at the manufacturer's discretion with the agreement of the Technical Service, either additional vehicle(s), or those parts of the vehicle regarded by the Technical Service as essential for the test(s) referred to in the paragraph 6. of this Regulation.
- 3.2. Part II: Approval of a Rechargeable Energy Storage System (REESS)
  - 3.2.1. The application for approval of a type of REESS or separate technical unit with regard to the safety requirements of the REESS shall be submitted by the REESS manufacturer or by his duly accredited representative.
  - 3.2.2. It shall be accompanied by the under-mentioned documents in triplicate and comply with the following particulars:
    - 3.2.2.1. Detailed description of the type of REESS or separate technical unit as regards the safety of the REESS.
    - 3.2.3. A component(s) representative of the type of REESS to be approved plus, at the manufacturer's discretion, and with the agreement of the Technical Service, those parts of the vehicle regarded by the Technical Service as essential for the test, shall be submitted to the Technical Service responsible for conducting the approval tests.
- 3.3. The Type Approval Authority shall verify the existence of satisfactory arrangements for ensuring effective control of the conformity of production before type approval is granted.

#### 4. Approval

- 4.1. If the type submitted for approval pursuant to this Regulation meets the requirements of the relevant parts of this Regulation, approval of that type shall be granted.
- 4.2. An approval number shall be assigned to each type approved. Its first two digits (at present 00 for the Regulation in its form) shall indicate the series of amendments incorporating the most recent major technical amendments made to the Regulation at the time of issue of the approval. The same Contracting Party shall not assign the same number to another vehicle type.
- 4.3. Notice of approval or of refusal or of extension or withdrawal of approval or production definitively discontinued of a vehicle type pursuant to this Regulation shall be communicated to the Parties to the Agreement applying this Regulation, by means of a form conforming to the model in Annex 1, Part 1 or 2 as appropriate to this Regulation.
- 4.4. There shall be affixed, conspicuously and in a readily accessible place specified on the approval form, to every vehicle or REESS or separate technical unit conforming to a type approved under this Regulation an international approval mark consisting of:


- 4.4.1. A circle surrounding the letter "E" followed by the distinguishing number of the country which has granted approval<sup>2</sup>.
- 4.4.2. The number of this Regulation, followed by the letter "R", a dash and the approval number to the right of the circle described in paragraph 4.4.1.
- 4.4.3. In the case of an approval of a REESS or a separate technical unit of the REESS the "R" shall be followed by the symbol "ES".
- 4.5. If the vehicle or REESS conforms to a type approved under one or more other Regulations annexed to the Agreement in the country which has granted approval under this Regulation, the symbol prescribed in paragraph 4.4.1. need not be repeated; in this case the Regulation and approval numbers and the additional symbols of all the Regulations under which approval has been granted in the country which has granted approval under this Regulation shall be placed in vertical columns to the right of the symbol prescribed in paragraph 4.4.1.
- 4.6. The approval mark shall be clearly legible and shall be indelible.
- 4.6.1. In the case of a vehicle, the approval mark shall be placed on or close to the vehicle data plate affixed by the manufacturer.
- 4.6.2. In the case of a REESS or separate technical unit approved as a REESS, the approval mark shall be affixed on the major element of the REESS by the manufacturer.
- 4.7. Annex 2 to this Regulation gives examples of the arrangements of the approval mark.

## 5. Part I: Requirements of a vehicle with regard to its electrical safety

- 5.1. Protection against electrical shock
  - These electrical safety requirements apply to high voltage buses under conditions where they are not connected to external high voltage power supplies.
- 5.1.1. Protection against direct contact
  - Protection against direct contact with high voltage live parts is also required for vehicles equipped with any REESS type approved under Part II of this Regulation.
  - The protection against direct contact with the live parts, shall comply with paragraphs 5.1.1.1. and 5.1.1.2.
  - These protections (solid insulator, barrier, enclosure, etc.) shall not be able to be opened, disassembled or removed without the use of tools.
- 5.1.1.1. For protection of live parts inside the passenger compartment or luggage compartment, the protection degree IPXXD shall be provided.

<sup>2</sup> The distinguishing numbers of the Contracting Parties to the 1958 Agreement are reproduced in Annex 3 to Consolidated Resolution on the Construction of Vehicles (R.E.3), document ECE/TRANS/WP.29/78/Rev.2/Amend.3



- 5.1.1.2. Protection of live parts in areas other than the passenger compartment or luggage compartment
- 5.1.1.2.1. For vehicles with a passenger compartment, the protection degree IPXXB shall be satisfied.
- 5.1.1.2.2. For vehicles without passenger compartment, the protection degree IPXXD shall be satisfied.
- 5.1.1.3. Connectors
- Connectors (including vehicle inlet) are deemed to meet this requirement if:
- (a) They comply with 5.1.1.1. and 5.1.1.2. when separated without the use of tools, or
  - (b) They are located underneath the floor and are provided with a locking mechanism, or
  - (c) They are provided with a locking mechanism and other components shall be removed with the use of tools in order to separate the connector, or
  - (d) The voltage of the live parts becomes equal or below DC 60V or equal or below AC 30V (rms) within one second after the connector is separated.
- 5.1.1.4. Service disconnect
- For a service disconnect which can be opened, disassembled or removed without tools, it is acceptable if protection degree IPXXB is satisfied under a condition where it is opened, disassembled or removed without tools.
- 5.1.1.5. Marking
- 5.1.1.5.1. In the case of a REESS having high voltage capability the symbol shown in Figure 1 shall appear on or near the REESS. The symbol background shall be yellow, the bordering and the arrow shall be black.
- Figure 1  
Marking of high voltage equipment
- 
- 5.1.1.5.2. The symbol shall also be visible on enclosures and barriers, which, when removed expose live parts of high voltage circuits. This provision is optional to any connector for high voltage buses. This provision shall not apply to any of the following cases:
- (a) Where barriers or enclosures cannot be physically accessed, opened, or removed; unless other vehicle components are removed with the use of tools;
  - (b) Where barriers or enclosures are located underneath the vehicle floor.
- 5.1.1.5.3. Cables for high voltage buses which are not located within enclosures shall be identified by having an outer covering with the colour orange.
- 5.1.2. Protection against indirect contact

Protection against indirect contact is also required for vehicles with high voltage live parts equipped with any REESS type approved under Part II of this Regulation.

- 5.1.2.1. For protection against electrical shock which could arise from indirect contact, the exposed conductive parts, such as the conductive barrier and enclosure, shall be galvanically connected securely to the electrical chassis by connection with electrical wire or ground cable, or by welding, or by connection using bolts, etc. so that no dangerous potentials are produced.
- 5.1.2.2. The resistance between all exposed conductive parts and the electrical chassis shall be lower than  $0.1 \Omega$  when there is current flow of at least 0.2 amperes.
- This requirement is satisfied if the galvanic connection has been established by welding.
- 5.1.2.3. In the case of motor vehicles which are intended to be connected to the grounded external electric power supply through the conductive connection, a device to enable the galvanical connection of the electrical chassis to the earth ground shall be provided.
- The device shall enable connection to the earth ground before exterior voltage is applied to the vehicle and retain the connection until after the exterior voltage is removed from the vehicle.
- Compliance to this requirement may be demonstrated either by using the connector specified by the vehicle manufacturer, or by analysis.
- 5.1.2.4. The requirement of paragraph 5.1.2.3. above shall not apply to the vehicles which satisfy (a) or (b) below
- (a) The vehicle's REESS can be charged via the external electric power supply only by using an off-board charger with a double insulation or reinforced insulation structure between input and output.
- The performance requirements regarding the previously mentioned insulation structure shall comply with the following requirements of paragraph 5.1.2.4.1. and paragraph 5.1.2.4.3. and stated in its documentation.
- (b) The on-board charger has a double or reinforced insulation structure between input and the vehicle's exposed conductive parts/electrical chassis.
- The performance requirements regarding the previously mentioned insulation structure shall comply with the following requirements of paragraphs 5.1.2.4.1., 5.1.2.4.2., and 5.1.2.4.3.
- If both systems are installed (a) and (b) have to be fulfilled.
- 5.1.2.4.1. Withstand voltage
- 5.1.2.4.1.1. For vehicle with on-board charger the test shall be conducted according to Annex 9A to this regulation.
- 5.1.2.4.1.2. Acceptance Criteria
- The insulation resistance shall be equal to or greater than  $7 \text{ M}\Omega$  when applying 500 V DC between all the inputs connected together and the vehicle's exposed conductive parts/electrical chassis.

Kommentiert [Gld1]: Footnote from the EC stating that this requirement does not mean that this kind of off-board charger is out of the Low Voltage Directive.

5.1.2.4.2. Protection against ingress of water

5.1.2.4.2.1. This test shall be conducted according to Annex 9B to this regulation.

5.1.2.4.2.2. Acceptance Criteria

The insulation resistance shall be equal to or greater than 7 M $\Omega$ , when applying 500 V DC.

5.1.2.4.3. Handling instructions

Appropriate instructions for charging shall be provided and included in the manual.

Example of the content in the manual:

*"If during charging your vehicle or charger becomes submerged in water you should not touch neither the vehicle nor the charger because of danger of electric shock. Also, do not use the battery nor the vehicle and ask your dealer to take (appropriate) measures."*

5.1.3. Isolation resistance

This paragraph shall not apply to chassis connected electrical circuits where the maximum voltage between any live part and the electrical chassis or any exposed conductive part does not exceed 30V AC (rms) or 60 V DC.

5.1.3.1. Electric power train consisting of separate Direct Current- or Alternating Current-buses

If AC buses and DC buses are galvanically isolated from each other, the isolation resistance between the high voltage bus and the electrical chassis shall have a minimum value of 100  $\Omega$ /volt of the working voltage for DC buses, and a minimum value of 500  $\Omega$ /volt of the working voltage for AC buses.

The measurement shall be conducted according to Annex 4A "Isolation resistance measurement method for vehicle based tests".

5.1.3.2. Electric power train consisting of combined DC- and AC-buses

If AC buses and DC buses are galvanically connected isolation resistance between any high voltage bus and the electrical chassis shall have a minimum value of 500  $\Omega$ /volt of the working voltage.

However, if all AC high voltage buses are protected by one of the 2 following measures, isolation resistance between any high voltage bus and the electrical chassis shall have a minimum value of 100  $\Omega$ /V of the working voltage:

- (a) Double or more layers of solid insulators, barriers or enclosures that meet the requirement in paragraph 5.1.1. independently, for example wiring harness;
- (b) Mechanically robust protections that have sufficient durability over vehicle service life such as motor housings, electronic converter cases or connectors;

The isolation resistance between the high voltage bus and the electrical chassis may be demonstrated by calculation, measurement or a combination of both.

The measurement shall be conducted according to Annex 4A "Isolation resistance measurement method for vehicle based tests".

5.1.3.3. Fuel cell vehicles

If the minimum isolation resistance requirement cannot be maintained over time, then protection shall be achieved by any of the following:

- (a) Double or more layers of solid insulators, barriers or enclosures that meet the requirement in paragraph 5.1.1. independently;
- (b) On-board isolation resistance monitoring system together with a warning to the driver if the isolation resistance drops below the minimum required value. The isolation resistance between the high voltage bus of the coupling system for charging the REESS, which is not energized besides during charging the REESS, and the electrical chassis need not be monitored. The function of the on-board isolation resistance monitoring system shall be confirmed as described in Annex 5.

5.1.3.4. Isolation resistance requirement for the coupling system for charging the REESS

For the *coupling system for charging the REESS*, intended to be conductively connected to the grounded external AC power supply the isolation resistance shall be at least 1 M $\Omega$  when the charger coupler is disconnected. During the measurement, the REESS may be disconnected.

5.2. Rechargeable Energy Storage System (REESS)

5.2.1. For a vehicle with a REESS, the requirement of either paragraph 5.2.1.1. or paragraph 5.2.1.2. shall be satisfied.

5.2.1.1. For a REESS which has been type approved in accordance with Part II of this Regulation, it shall be installed in accordance with the instructions provided by the manufacturer of the REESS, and in conformity with the description provided in Part 2 of Annex 6 to this Regulation.

5.2.1.2. The REESS shall comply with the respective requirements of paragraph 6. of this Regulation.

5.2.2. Accumulation of gas

Places for containing open type traction batteries that may produce hydrogen gas shall be provided with a ventilation fan, a ventilation duct or any other suitable means to prevent the accumulation of hydrogen gas.

5.2.3. Protection against electrolyte spills

Vehicles shall foresee that no spilled electrolyte from the REESS and its components shall reach the driver, rider or passenger nor any person around the vehicle during normal condition of use and/or functional operation.

When the REESS is put upside-down no electrolyte shall spill.

5.2.4. Accidental or unintentional detachment

The REESS and its components shall be installed in the vehicle in such a way so as to preclude the possibility of inadvertent or unintentional detachment of the REESS.

The REESS in the vehicle shall not be ejected when the vehicle is tilted.

The REESS components shall not be ejected when the REESS is put upside-down.

5.3. Functional safety

At least a momentary indication shall be given to the driver when the vehicle is in "active driving possible mode".

However, this provision does not apply under conditions where an internal combustion engine provides directly or indirectly the vehicle's propulsion power.

When leaving the vehicle, the driver shall be informed by a signal (e.g. optical or audible signal) if the vehicle is still in the active driving possible mode.

If the on-board REESS can be externally charged by the user, vehicle movement by its own propulsion system shall be impossible as long as the connector of the external electric power supply is physically connected to the vehicle inlet.

For the vehicles with a permanently connected recharge cable, the requirement above is not applicable if using the cable to charge the vehicle prevents the use of the vehicle (e.g. seat cannot be closed, cable disturb the rider to sit, cable disturb the rider to step-in).

This requirement shall be demonstrated by using the connector specified by the vehicle manufacturer.

The state of the drive direction control unit shall be identified to the driver.

5.3.1. Additional functional safety requirements

5.3.1.1. At the start-up in order to select the active driving possible mode at least two deliberate and distinctive actions shall be performed by the driver.

5.3.1.2. Only a single action shall be required to deactivate the active driving possible mode.

5.3.1.3. Indication of temporary reduced power (i. e. not resulting from a failure) and/or of SOC of REESS

5.3.1.3.1. The vehicle shall have a function/device that indicates to the driver/rider if the power is automatically reduced below a certain level, (e.g. due to activation of the output controller to protect the REESS or the propulsion system) or due to a low state of charge (SOC).

5.3.1.3.2. The conditions under which these indications are given shall be determined by the manufacturer.

A brief description of the power reduction and indicating strategy will be prescribed in Annex 6.

5.3.1.4. Driving or riding backwards

It shall not be possible to activate the vehicle reverse control function whilst the vehicle is in forward motion.

5.4. Determination of hydrogen emissions

5.4.1. This test shall be carried out on all vehicles equipped with open type traction batteries. If the REESS has been approved under Part II of this Regulation

and installed in accordance with paragraph 5.2.1.1. this test can be omitted for the approval of the vehicle.

- 5.4.2. The test shall be conducted following the method described in Annex 7 to the present Regulation. The hydrogen sampling and analysis shall be the ones prescribed. Other analysis methods can be approved if it is proven that they give equivalent results.
- 5.4.3. During a normal charge procedure in the conditions given in Annex 7, hydrogen emissions shall be below 125 g during 5 h, or below  $25 \times t_2$  g during  $t_2$  (in h).
- 5.4.4. During a charge carried out by a charger presenting a failure (conditions given in Annex 7), hydrogen emissions shall be below 42 g. Furthermore the charger shall limit this possible failure to 30 minutes.
- 5.4.5. All the operations linked to the REESS charging shall be controlled automatically, included the stop for charging.
- 5.4.6. It shall not be possible to take a manual control of the charging phases.
- 5.4.7. Normal operations of connection and disconnection to the mains or power cuts shall not affect the control system of the charging phases.
- 5.4.8. Important charging failures shall be permanently indicated. An important failure is a failure that can lead to a malfunction of the charger during charging later on.
- 5.4.9. The manufacturer has to indicate in the owner's manual, the conformity of the vehicle to these requirements.
- 5.4.10. The approval granted to a vehicle type relative to hydrogen emissions can be extended to different vehicle types belonging to the same family, in accordance with the definition of the family given in Annex 7, Appendix 2.

## 6. Part II: Requirements of a Rechargeable Energy Storage System (REESS) with regard to its safety

- 6.1. General

The procedures prescribed in Annex 8 of this Regulation shall be applied.
  - 6.2. Vibration
    - 6.2.1. The test shall be conducted in accordance with Annex 8A to this Regulation.
    - 6.2.2. Acceptance criteria
      - 6.2.2.1. During the test, there shall be no evidence of:
        - (a) Electrolyte leakage;
        - (b) Rupture (applicable to high voltage REESS (s) only);
        - (c) Fire;
        - (d) Explosion.
- Evidence of electrolyte leakage shall be verified by visual inspection without disassembling any part of the tested-device.

6.2.2.2. For a high voltage REESS, the isolation resistance measured after the test in accordance with Annex 4B to this Regulation shall not be less than 100  $\Omega$ /Volt.

6.3. Thermal shock and cycling

6.3.1. The test shall be conducted in accordance with Annex 8B to this Regulation.

6.3.2. Acceptance criteria

6.3.2.1. During the test, there shall be no evidence of:

- (a) Electrolyte leakage;
- (b) Rupture (applicable to high voltage REESS(s) only);
- (c) Fire;
- (d) Explosion.

Evidence of electrolyte leakage shall be verified by visual inspection without disassembling any part of the tested-device.

6.3.2.2. For a high voltage REESS, the isolation resistance measured after the test in accordance with Annex 4B of this Regulation shall not be less than 100  $\Omega$ /Volt.

6.4. Mechanical Tests

6.4.1. Drop Test for removable REESS

6.4.1.1. The test shall be conducted in accordance with Annex 8C of this Regulation.

6.4.1.2. Acceptance criteria

6.4.1.2.1. During the test there shall be no evidence of

- (a) electrolyte leakage
- (b) rupture (applicable to high voltage REESS(s) only)
- (c) fire
- (d) explosion

Evidence of electrolyte leakage shall be verified by visual inspection without disassembling any part of the Tested-Device.

6.4.1.2.1. For a high voltage REESS, the isolation resistance measured after the test in accordance with Annex 4B of this Regulation shall not be less than 100  $\Omega$ /Volt.

6.4.2. Mechanical shock resulting from stationary fall-over

6.4.2.1. This test shall apply to L-category vehicles with a centre and/or side stand.

The test shall be conducted in accordance with Annex 8D of this Regulation.

6.4.2.2. Acceptance criteria

6.4.2.2.1. During the test there shall be no evidence of

- (a) electrolyte leakage
- (b) rupture (applicable to high voltage REESS(s) only)
- (c) fire

(d) explosion

Evidence of electrolyte leakage shall be verified by visual inspection without disassembling any part of the tested-device.

- 6.4.2.2.2. For a high voltage REESS the isolation resistance of the tested-device shall ensure at least 100  $\Omega$ /Volt for the whole REESS measured after the test in accordance with Annex 4B to this Regulation, or the protection degree IPXXB shall be fulfilled for the tested-device.

6.5. Fire resistance

This test applies for vehicles with a passenger compartment only.

This test is required for REESS containing flammable electrolyte.

This test is not required when the REESS as installed in the vehicle, is mounted such that the lowest surface of the casing of the REESS is more than 1.5m above the ground. At the option of the manufacturer, this test may be performed where the height of the REESS's lower surface is higher than 1.5 m above the ground. The test shall be carried out on one test sample.

At the manufacturer's choice the test may be performed as, either:

- (a) A vehicle based test in accordance with paragraph 6.5.1. of this Regulation, or
- (b) A component based test in accordance with paragraph 6.5.2. of this Regulation.

6.5.1. Vehicle based test

The test shall be conducted in accordance with Annex 8E paragraph 3.2.1. of this Regulation.

The approval of a REESS tested according to this paragraph shall be limited to approvals for a specific vehicle type.

6.5.2. Component based test

The test shall be conducted in accordance with Annex 8E paragraph 3.2.2. of this Regulation.

6.5.3. Acceptance criteria

- 6.5.3.1. During the test, the tested-device shall exhibit no evidence of explosion.

6.6. External short circuit protection

- 6.6.1. The test shall be conducted in accordance with Annex 8F of this Regulation.

6.6.2. Acceptance criteria;

- 6.6.2.1. During the test there shall be no evidence of:

- (a) Electrolyte leakage;
- (b) Rupture (applicable to high voltage REESS(s) only);
- (c) Fire;
- (d) Explosion.

Evidence of electrolyte leakage shall be verified by visual inspection without disassembling any part of the tested-device.



6.6.2.2. For a high voltage REESS, the isolation resistance measured after the test in accordance with Annex 4 B to this Regulation shall not be less than 100  $\Omega$ /Volt.

6.7. Overcharge protection

6.7.1. The test shall be conducted in accordance with Annex 8G to this Regulation.

6.7.2. Acceptance criteria

6.7.2.1. During the test there shall be no evidence of:

- (a) Electrolyte leakage;
- (b) Rupture (applicable to high voltage REESS(s) only);
- (c) Fire;
- (d) Explosion.

Evidence of electrolyte leakage shall be verified by visual inspection without disassembling any part of the tested-device.

6.7.2.2. For a high voltage REESS, the isolation resistance measured after the test in accordance with Annex 4B to this Regulation shall not be less than 100  $\Omega$ /Volt.

6.8. Over-discharge protection

6.8.1. The test shall be conducted in accordance with Annex 8H to this Regulation.

6.8.2. Acceptance criteria

6.8.2.1. During the test there shall be no evidence of:

- (a) Electrolyte leakage;
- (b) Rupture (applicable to high voltage REESS(s) only);
- (c) Fire;
- (d) Explosion.

Evidence of electrolyte leakage shall be verified by visual inspection without disassembling any part of the tested-device.

6.8.2.2. For a high voltage REESS the isolation resistance measured after the test in accordance with Annex 4B to this Regulation shall not be less than 100  $\Omega$ /Volt.

6.9. Over-temperature protection

6.9.1. The test shall be conducted in accordance with Annex 8I to this Regulation.

6.9.2. Acceptance criteria

6.9.2.1. During the test there shall be no evidence of:

- (a) Electrolyte leakage;
- (b) Rupture (applicable to high voltage REESS(s) only);
- (c) Fire;
- (d) Explosion.

Evidence of electrolyte leakage shall be verified by visual inspection without disassembling any part of the tested-device.

- 6.9.2.2. For a high voltage REESS, the isolation resistance measured after the test in accordance with Annex 4B to this Regulation shall not be less than 100  $\Omega$ /Volt.
- 6.10. Emission
- Possible emission of gases caused by the energy conversion process during normal use shall be considered.
- 6.10.1. Open type traction batteries shall meet the requirements of paragraph 5.4. of this Regulation with regard to hydrogen emissions.
- Systems with a closed chemical process shall be considered as emission-free under normal operation (e.g. lithium-ion battery).
- The closed chemical process shall be described and documented by the battery manufacturer in Annex 6 - Part 2.
- Other technologies shall be evaluated by the manufacturer and the Technical Service regarding any possible emissions under normal operation.
- 6.10.2. Acceptance criteria
- For hydrogen emissions see paragraph 5.4. of this Regulation.
- For emission free systems with closed chemical process no verification is necessary.

## 7. Modifications and extension of the type approval

- 7.1. Every modification of the vehicle or REESS type with regard to this Regulation shall be notified to the Type Approval Authority which approved the vehicle or REESS type. The Authority may then either:
- 7.1.1. Consider that the modifications made are unlikely to have an appreciable adverse effect and that in any case the vehicle or the REESS still complies with the requirements, or
- 7.1.2. Require a further test report from the Technical Service responsible for conducting the tests.
- 7.2. Confirmation or refusal of approval, specifying the alteration, shall be communicated by the procedure specified in paragraph 4.3. above to the Parties to the Agreement applying this Regulation.
- 7.3. The Type Approval Authority issuing the extension of approval shall assign a series number to each communication form drawn up for such an extension and inform thereof the other Parties to the 1958 Agreement applying the Regulation by means of a communication form conforming to the model in Annex 1 (Part 1 or Part 2) to this Regulation.

## 8. Conformity of production

- 8.1. Vehicles or REESS approved under this Regulation shall be so manufactured as to conform to the type approved by meeting the requirements of the relevant part(s) of this Regulation.
- 8.2. In order to verify that the requirements of paragraph 8.1. are met, appropriate production checks shall be carried out.

- 8.3. The holder of the approval shall, in particular:
- 8.3.1. Ensure the existence of procedures for the effective quality control of vehicles or REESS;
  - 8.3.2. Have access to the testing equipment necessary for checking the conformity of each approved type;
  - 8.3.3. Ensure that test result data are recorded and that the annexed documents remain available for a period to be determined in agreement with the Type Approval Authority;
  - 8.3.4. Analyse the results of each type of test, in order to verify and ensure the consistency of characteristics of the vehicle or REESS, making allowance for permissible variations in industrial production;
  - 8.3.5. Ensure that for each type of vehicle or component type at least the tests prescribed in the relevant part(s) of this Regulation are carried out;
  - 8.3.6. Ensure that any set of samples or test pieces giving evidence of non-conformity with the type of test in question shall give rise to a further sampling and test. All necessary steps shall be taken to re-establish conformity of the corresponding production.
- 8.4. The Type Approval Authority which has granted type approval may at any time verify the conformity control methods applied in each production unit.
- 8.4.1. At every inspection, the test records and production records shall be presented to the visiting inspector.
  - 8.4.2. The inspector may take samples at random to be tested in the manufacturer's laboratory. The minimum number of samples may be determined according to the results of the manufacturer's own checks.
  - 8.4.3. When the quality level appears unsatisfactory or when it seems necessary to verify the validity of the tests carried out in application of paragraph 8.4.2., the inspector shall select samples to be sent to the technical service which has conducted the type approval tests.
  - 8.4.4. The Type Approval Authority may carry out any test prescribed in this Regulation.
  - 8.4.5. The normal frequency of inspections by the Type Approval Authority shall be one per year. If unsatisfactory results are recorded during one of these visits, the Type Approval Authority shall ensure that all necessary steps are taken to re-establish the conformity of production as rapidly as possible.

## 9. Penalties for non-conformity of production

- 9.1. The approval granted in respect of a vehicle/REESS type, pursuant to this Regulation may be withdrawn if the requirements laid down in paragraph 8. above are not complied with, or if the vehicle/REESS or its components fail to pass the tests provided for in paragraph 8.3.5. above.
- 9.2. If a Contracting Party to the Agreement applying this Regulation withdraws an approval it has previously granted, it shall forthwith so notify the other Contracting Parties applying this Regulation, by means of a communication form conforming to the Model in Annex 1 (Part 1 or Part 2) to this Regulation.

10. **Production definitively discontinued**

If the holder of the approval completely ceases to manufacture a vehicle/REESS type approved in accordance with this Regulation, he shall so inform the Authority which granted the approval. Upon receiving the relevant communication, that Authority shall inform thereof the other Contracting Parties to the 1958 Agreement applying this Regulation by means of a communication form conforming to the model in Annex 1 (Part 1 or Part 2) to this Regulation.

11. **Names and addresses of Technical Services responsible for conducting approval tests and of Type Approval Authorities**

The Contracting Parties to the 1958 Agreement applying this Regulation shall communicate to the United Nations Secretariat the names and addresses of the Technical Services responsible for conducting approval tests and the Type Approval Authorities which grant approval and to which forms certifying approval or extension or refusal or withdrawal of approval or production definitively discontinued, issued in other countries are to be sent.

Annex 1 - Part 1

Communication

(Maximum format: A4 (210 x 297 mm))



Issued by:

Name of administration:

.....  
.....  
.....  
.....

Concerning<sup>2</sup>: Approval granted,  
Approval extended,  
Approval refused,  
Approval withdrawn,  
Production definitively discontinued,

of a vehicle type with regard to its electrical safety pursuant to Regulation No. [XXX]

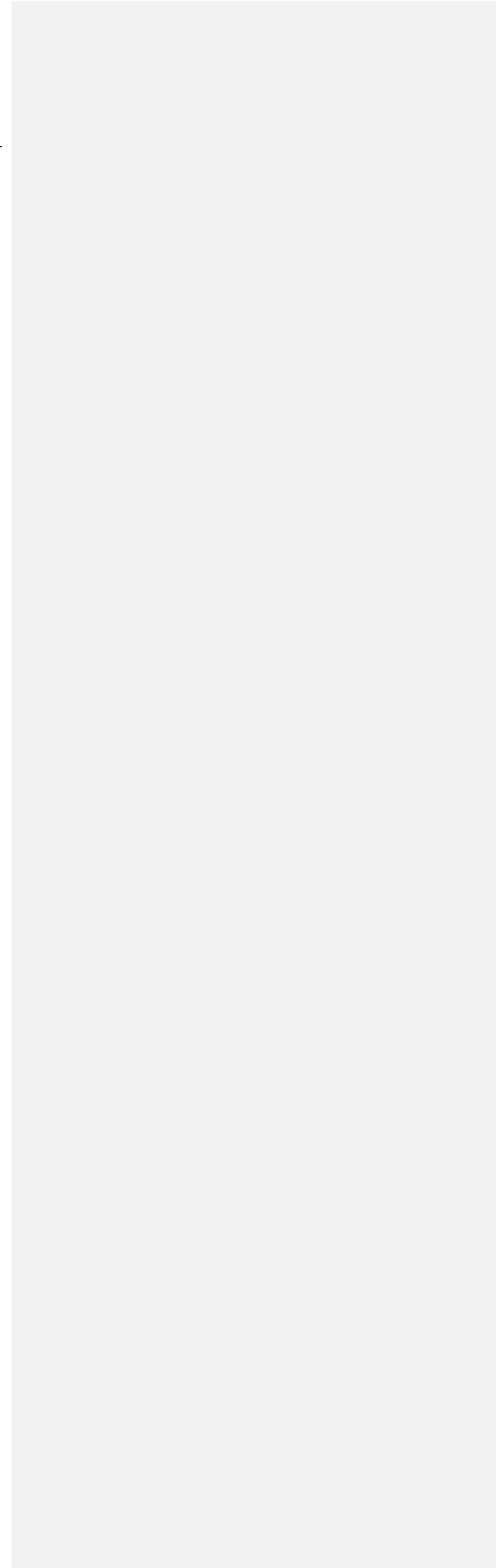
Approval No. .... Extension No. ....

1. Trade name or mark of the vehicle: .....
2. Vehicle type: .....
3. Vehicle category: .....
4. Manufacturer's name and address: .....  
.....
5. If applicable, name and address of manufacturer's representative: .....  
.....
6. Description of the vehicle: .....
- 6.1. REESS type: .....
- 6.1.1. The approval number of the REESS or descriptions of the REESS<sup>2</sup>
- 6.2. Working voltage:.....
- 6.3. Propulsion system (e.g. hybrid, electric): .....
7. Vehicle submitted for approval on: .....

<sup>1</sup> Distinguishing number of the country which has granted/extended/refused/withdrawn approval (see approval provisions in the Regulation).

<sup>2</sup> Strike out what does not apply.

8. Technical Service responsible for conducting approval tests: .....  
.....
9. Date of report issued by that Service: .....
10. Number of report issued by that Service: .....
11. Location of the approval mark: .....
12. Reason(s) for extension of approval (if applicable)<sup>2</sup>: .....
13. Approval granted/extended/refused/withdrawn<sup>2</sup>: .....
14. Place: .....
15. Date: .....
16. Signature: .....
17. The documents filed with the request for approval or extension may be obtained on request.



## Annex 1 – Part 2

### Communication

(Maximum format: A4 (210 x 297 mm))



issued by:      Name of administration:  
.....  
.....  
.....

Concerning:<sup>2</sup>      Approval granted  
                         Approval extended  
                         Approval refused  
                         Approval withdrawn  
                         Production definitively discontinued

of a REESS type as component/separate technical unit<sup>2</sup> pursuant to Regulation No. [XXX]

Approval No. .... Extension No. ....

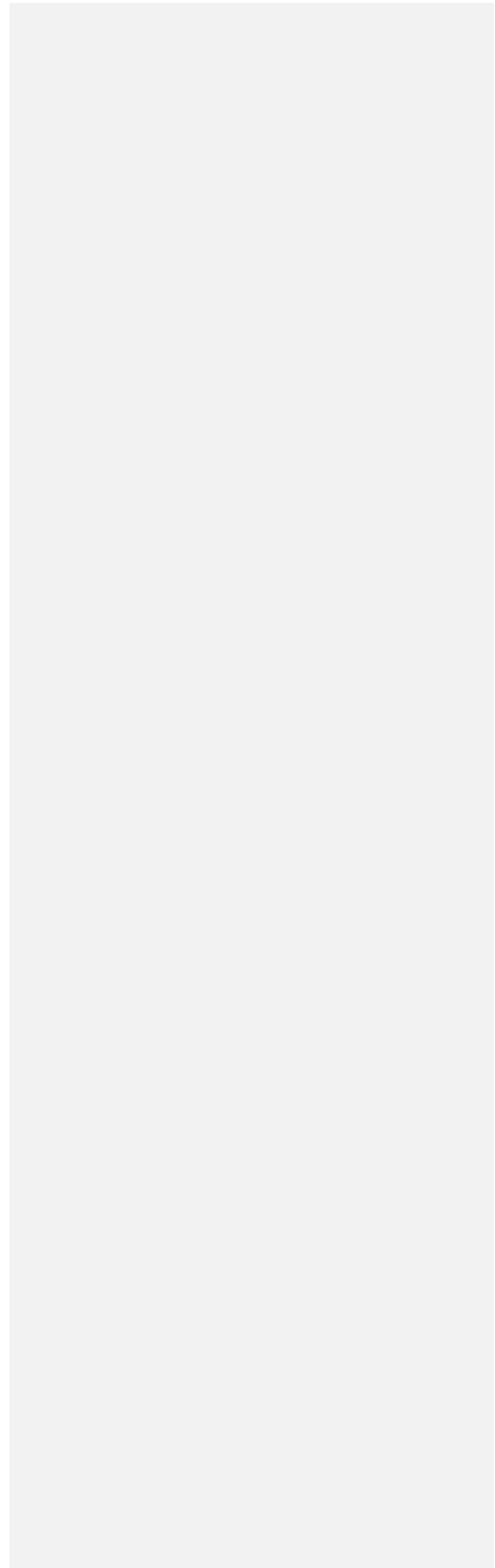
1. Trade name or mark of the REESS: .....
2. Type of REESS: .....
3. Manufacturer's name and address: .....
4. If applicable, name and address of manufacturer's representative: .....
5. Description of the REESS: .....
6. Installation restrictions applicable to the REESS: .....
7. REESS submitted for approval on: .....
8. Technical Service responsible for conducting approval tests: .....
9. Date of report issued by that Service: .....
10. Number of report issued by that Service: .....
11. Location of the approval mark: .....
12. Reason(s) for extension of approval (if applicable)<sup>2</sup>: .....
13. Approval granted/extended/refused/withdrawn<sup>2</sup>: .....
14. Place: .....

---

<sup>1</sup> Distinguishing number of the country which has granted/extended/refused/withdrawn approval (see approval provisions in the Regulation).

<sup>2</sup> Strike out what does not apply.

15. Date: .....
16. Signature: .....
17. The documents filed with the request for approval or extension may be obtained on request.





Annex 2

Arrangements of the approval marks

Model A  
 (See paragraph 4.4. of this Regulation)

Figure 1



a = 8 mm min.

The approval mark in Figure 1 affixed to a vehicle shows that the road vehicle type concerned has been approved in the Netherlands (E 4), pursuant to Regulation No. [XXX], and under the approval number 002492. The first two digits of the approval number indicate that the approval was granted in accordance with the requirements of Regulation No. [XXX] in its original form.

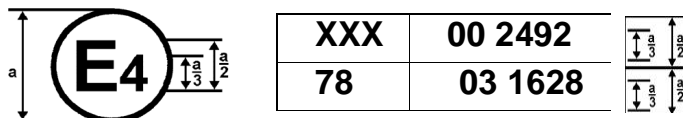
Figure 2



a = 8 mm min.

The approval mark in Figure 2 affixed to a REESS shows that the REESS type ("ES") concerned has been approved in the Netherlands (E 4), pursuant to Regulation No. [XXX], and under the approval number 002492. The first two digits of the approval number indicate that the approval was granted in accordance with the requirements of Regulation No. [XXX] in its original form.

Model B  
 (See paragraph 4.5. of this Regulation)



a = 8 mm min.

The above approval mark affixed to a vehicle shows that the road vehicle concerned has been approved in the Netherlands (E4) pursuant to Regulations Nos. [XXX] and 78\*. The approval number indicates that, at the dates when the respective approvals were granted, Regulation No. [XXX] was still in its original form and Regulation No. 78 was amended by 03 series of amendments.

\* The latter number is given only as an example.

## Annex 3

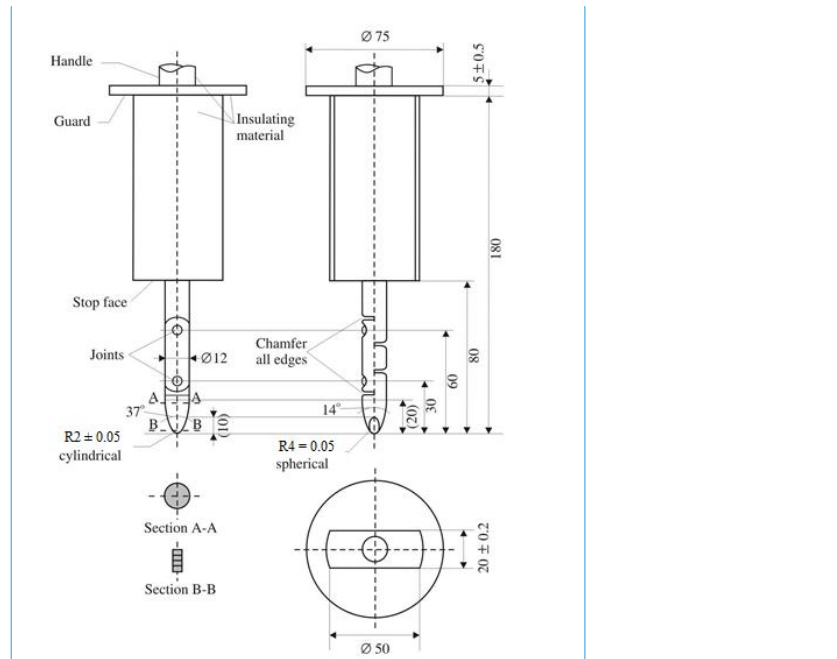
### Protection against direct contacts of parts under voltage

1. Access probes  
Access probes to verify the protection of persons against access to live parts are given in Table 1.
2. Test conditions  
The access probe is pushed against any openings of the enclosure with the force specified in Table 1. If it partly or fully penetrates, it is placed in every possible position, but in no case shall the stop face fully penetrate through the opening.  
Internal barriers are considered part of the enclosure  
A low-voltage supply (of not less than 40 V and not more than 50 V) in series with a suitable lamp should be connected, if necessary, between the probe and live parts inside the barrier or enclosure.  
The signal-circuit method should also be applied to the moving live parts of high voltage equipment.  
Internal moving parts may be operated slowly, where this is possible.
3. Acceptance conditions  
The access probe shall not touch live parts.  
If this requirement is verified by a signal circuit between the probe and live parts, the lamp shall not light.  
In the case of the test for IPXXB, the jointed test finger may penetrate to its 80 mm length, but the stop face (diameter 50 mm x 20 mm) shall not pass through the opening. Starting from the straight position, both joints of the test finger shall be successively bent through an angle of up to 90 degrees with respect to the axis of the adjoining section of the finger and shall be placed in every possible position.  
In case of the tests for IPXXD, the access probe may penetrate to its full length, but the stop face shall not fully penetrate through the opening.

Table 1  
 Access probes for the tests for protection of persons against access to hazardous parts

| First numeral | Addit. letter | Access probe (Dimensions in mm)   | Test force |
|---------------|---------------|---|------------|
| 2             | B             | <p><b>Jointed test finger</b></p> <p>Stop face (Ø 50 x 20)</p> <p>Ø 12</p> <p>See Fig.1 for full dimensions</p> <p>Insulating material</p> <p>Jointed test finger (Metal)</p> <p>80</p>   | 10 N ± 10% |
| 4, 5, 6       | D             | <p><b>Test wire 1.0 mm diameter, 100 mm long</b></p> <p>Ø 10</p> <p>Approx. 100</p> <p>Sphere 35 ± 0.2</p> <p>100 ± 0.2</p> <p>Ø 1 +0.05 / 0</p> <p>Handle (Insulating material)</p> <p>Stop face (Insulating material)</p> <p>Rigid test wire (Metal)</p> <p>Edges free from burrs</p> | 1N ± 10%   |

Figure 1  
 Jointed test finger



Material: metal, except where otherwise specified

Linear dimensions in millimeters

Tolerances on dimensions without specific tolerance:

- (a) On angles: 0/-10°;
- (b) On linear dimensions: up to 25 mm: 0/-0.05 mm over 25 mm: ±0.2 mm

Both joints shall permit movement in the same plane and the same direction through an angle of 90° with a 0 to +10° tolerance.

Kommentiert [MI 2]:  
 Toyota:  
 Error in the dimension.  
 Wrong R4 = 0.05 spherical  
 Correct R4 ±0.05 spherical

## Annex 4A

### Isolation resistance measurement method for vehicle based tests

#### 1. General

The isolation resistance for each high voltage bus of the vehicle shall be measured or shall be determined by calculation using measurement values from each part or component unit of a high voltage bus (hereinafter referred to as the "divided measurement").

#### 2. Measurement method

The isolation resistance measurement shall be conducted by selecting an appropriate measurement method from among those listed in paragraphs 2.1. through 2.2. of this annex, depending on the electrical charge of the live parts or the isolation resistance, etc.

The range of the electrical circuit to be measured shall be clarified in advance, using electrical circuit diagrams, etc.

Moreover, modification necessary for measuring the isolation resistance may be carried out, such as removal of the cover in order to reach the live parts, drawing of measurement lines, change in software, etc.

In cases where the measured values are not stable due to the operation of the on-board isolation resistance monitoring system, etc., necessary modification for conducting the measurement may be carried out, such as stopping of the operation of the device concerned or removing it. Furthermore, when the device is removed, it shall be proven, using drawings, etc., that it will not change the isolation resistance between the live parts and the electrical chassis.

Utmost care shall be exercised as to short circuit, electric shock, etc., for this confirmation might require direct operations of the high-voltage circuit.

#### 2.1. Measurement method using voltage from off-vehicle sources

##### 2.1.1. Measurement instrument

An isolation resistance test instrument capable of applying a DC voltage higher than the working voltage of the high voltage bus shall be used.

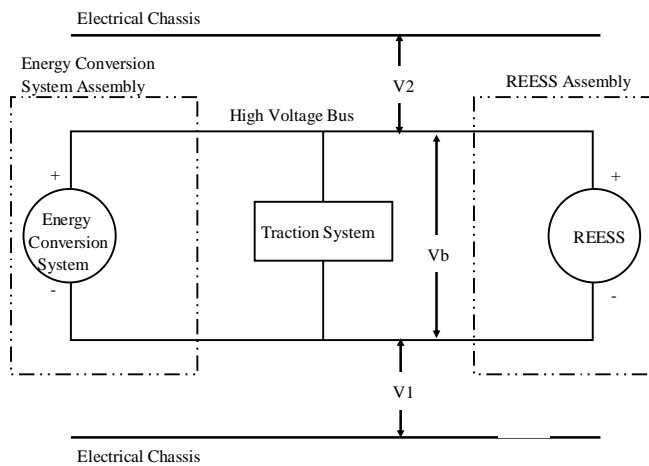
##### 2.1.2. Measurement method

An insulator resistance test instrument shall be connected between the live parts and the electrical chassis. Then, the isolation resistance shall be measured by applying a DC voltage at least half of the working voltage of the high voltage bus.

If the system has several voltage ranges (e.g. because of boost converter) in galvanically connected circuit and some of the components cannot withstand the working voltage of the entire circuit, the isolation resistance between those components and the electrical chassis can be measured separately by applying at least half of their own working voltage with those component disconnected.

- 2.2. Measurement method using the vehicle's own REESS as DC voltage source
- 2.2.1. Test vehicle conditions  
The high voltage-bus shall be energized by the vehicle's own REESS and/or energy conversion system and the voltage level of the REESS and/or energy conversion system throughout the test shall be at least the nominal operating voltage as specified by the vehicle manufacturer.
- 2.2.2. Measurement instrument  
The voltmeter used in this test shall measure DC values and shall have an internal resistance of at least 10 MΩ.
- 2.2.3. Measurement method
- 2.2.3.1. First step  
The voltage is measured as shown in Figure 1 and the high voltage bus voltage ( $V_b$ ) is recorded.  $V_b$  shall be equal to or greater than the nominal operating voltage of the REESS and/or energy conversion system as specified by the vehicle manufacturer.

Figure 1  
Measurement of  $V_b$ ,  $V_1$ ,  $V_2$



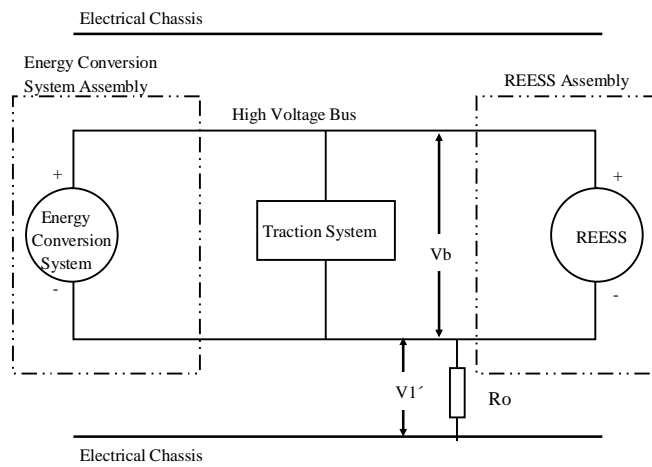
- 2.2.3.2. Second step  
Measure and record the voltage ( $V_1$ ) between the negative side of the high voltage bus and the electrical chassis (see Figure 1).
- 2.2.3.3. Third step  
Measure and record the voltage ( $V_2$ ) between the positive side of the high voltage bus and the electrical chassis (see Figure 1).
- 2.2.3.4. Fourth step

If  $V_1$  is greater than or equal to  $V_2$ , insert a standard known resistance ( $R_o$ ) between the negative side of the high voltage bus and the electrical chassis. With  $R_o$  installed, measure the voltage ( $V_1'$ ) between the negative side of the high voltage bus and the electrical chassis (see Figure 2).

Calculate the electrical isolation ( $R_i$ ) according to the following formula:

$$R_i = R_o \cdot (V_b / V_1' - V_b / V_1) \quad \text{or} \quad R_i = R_o \cdot V_b \cdot (1 / V_1' - 1 / V_1)$$

Figure 2  
Measurement of  $V_1'$

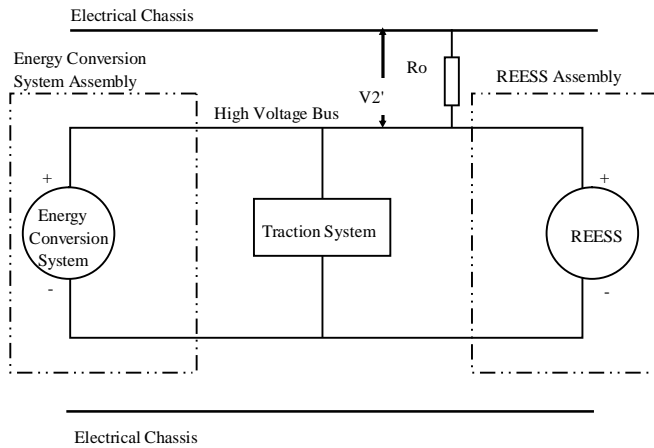


If  $V_2$  is greater than  $V_1$ , insert a standard known resistance ( $R_o$ ) between the positive side of the high voltage bus and the electrical chassis. With  $R_o$  installed, measure the voltage ( $V_2'$ ) between the positive side of the high voltage bus and the electrical chassis (see Figure 3). Calculate the electrical isolation ( $R_i$ ) according to the formula shown. Divide this electrical isolation value (in  $\Omega$ ) by the nominal operating voltage of the high voltage bus (in volts).

Calculate the electrical isolation ( $R_i$ ) according to the following formula:

$$R_i = R_o \cdot (V_b / V_2' - V_b / V_2) \quad \text{or} \quad R_i = R_o \cdot V_b \cdot (1 / V_2' - 1 / V_2)$$

Figure 3  
Measurement of  $V_2'$



2.2.3.5. Fifth step

The electrical isolation value  $R_i$  (in  $\Omega$ ) divided by the working voltage of the high voltage bus (in volts) results in the isolation resistance (in  $\Omega/V$ ).

*Note:* The standard known resistance  $R_o$  (in  $\Omega$ ) should be the value of the minimum required isolation resistance (in  $\Omega/V$ ) multiplied by the working voltage of the vehicle plus/minus 20 per cent (in volts).  $R_o$  is not required to be precisely this value since the equations are valid for any  $R_o$ ; however, a  $R_o$  value in this range should provide good resolution for the voltage measurements.



## Annex 4B

### Isolation resistance measurement method for component based tests of a REESS

#### 1. Measurement method

The isolation resistance measurement shall be conducted by selecting an appropriate measurement method from among those listed in paragraphs 1.1. through 1.2. of this annex, depending on the electrical charge of the live parts or the isolation resistance, etc.

If the operating voltage of the tested-device ( $V_b$ , Figure 1) cannot be measured (e.g. due to disconnection of the electric circuit caused by main contactors or fuse operation) the test may be performed with a modified test device to allow measurement of the internal voltages (upstream the main contactors).

These modifications shall not influence the test results.

The range of the electrical circuit to be measured shall be clarified in advance, using electrical circuit diagrams, etc. If the high voltage buses are galvanically isolated from each other, isolation resistance shall be measured for each electrical circuit.

Moreover, modification necessary for measuring the isolation resistance may be carried out, such as removal of the cover in order to reach the live parts, drawing of measurement lines, change in software, etc.

In cases where the measured values are not stable due to the operation of the isolation resistance monitoring system, etc., necessary modification for conducting the measurement may be carried out, such as stopping the operation of the device concerned or removing it. Furthermore, when the device is removed, it shall be proven, using drawings, etc., that it will not change the isolation resistance between the live parts and the ground connection designated by the manufacturer as a point to be connected to the electrical chassis when installed on the vehicle.

Utmost care shall be exercised as to short circuit, electric shock, etc., for this confirmation might require direct operations of the high-voltage circuit.

#### 1.1. Measurement method using voltage from external sources

##### 1.1.1. Measurement instrument

An isolation resistance test instrument capable of applying a DC voltage higher than the nominal voltage of the tested-device shall be used.

##### 1.1.2. Measurement method

An insulation resistance test instrument shall be connected between the live parts and the ground connection. Then, the isolation resistance shall be measured.

If the system has several voltage ranges (e.g. because of boost converter) in a galvanically connected circuit and some of the components cannot withstand the working voltage of the entire circuit, the isolation resistance

between those components and the ground connection can be measured separately by applying at least half of their own working voltage with those component disconnected.

1.2. Measurement method using the tested-device as DC voltage source

1.2.1. Test conditions

The voltage level of the tested-device throughout the test shall be at least the nominal operating voltage of the tested-device.

1.2.2. Measurement instrument

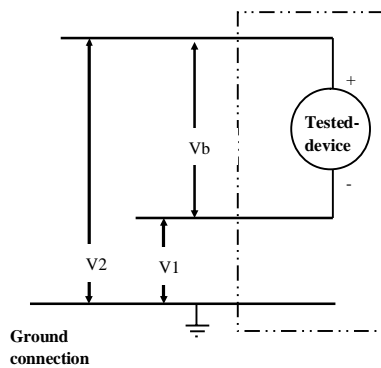
The voltmeter used in this test shall measure DC values and shall have an internal resistance of at least 10 M $\Omega$ .

1.2.3. Measurement method

1.2.3.1. First step

The voltage is measured as shown in Figure 1 and the operating voltage of the tested-device ( $V_b$ , Figure 1) is recorded.  $V_b$  shall be equal to or greater than the nominal operating voltage of the tested-device.

Figure 1



1.2.3.2. Second step

Measure and record the voltage ( $V_1$ ) between the negative pole of the tested-device and the ground connection (Figure 1).

1.2.3.3. Third step

Measure and record the voltage ( $V_2$ ) between the positive pole of the tested-device and the ground connection (Figure 1).

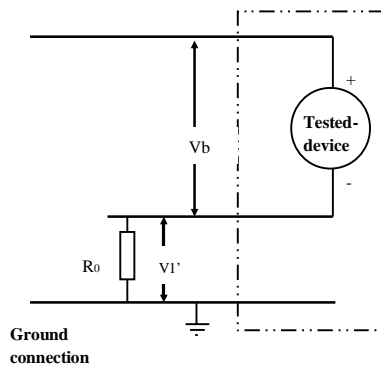
1.2.3.4. Fourth step

If  $V_1$  is greater than or equal to  $V_2$ , insert a standard known resistance ( $R_0$ ) between the negative pole of the tested-device and the ground connection. With  $R_0$  installed, measure the voltage ( $V_1'$ ) between the negative pole of the tested-device and the ground connection (see Figure 2).

Calculate the electrical isolation ( $R_i$ ) according to the following formula:

$$R_i = R_0 \cdot (V_b / V_1' - V_b / V_1) \quad \text{or} \quad R_i = R_0 \cdot V_b \cdot (1 / V_1' - 1 / V_1)$$

Figure 2

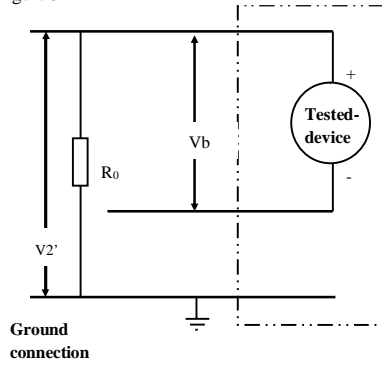


If  $V_2$  is greater than  $V_1$ , insert a standard known resistance ( $R_0$ ) between the positive pole of the tested-device and the ground connection. With  $R_0$  installed, measure the voltage ( $V_2'$ ) between the positive pole of the tested-device and the ground connection (see Figure 3).

Calculate the electrical isolation ( $R_i$ ) according to the following formula:

$$R_i = R_0 \cdot (V_b / V_2' - V_b / V_2) \quad \text{or} \quad R_i = R_0 \cdot V_b \cdot (1 / V_2' - 1 / V_2)$$

Figure 3



1.2.3.5. Fifth step

The electrical isolation value  $R_i$  (in  $\Omega$ ) divided by the nominal voltage of the tested-device (in volts) results in the isolation resistance (in  $\Omega/V$ ).

*Note 1:* The standard known resistance  $R_0$  (in  $\Omega$ ) should be the value of the minimum required isolation resistance (in  $\Omega/V$ ) multiplied by the nominal voltage of the tested-device plus/minus 20 per cent (in volts).  $R_0$  is not required to be precisely this value since the equations are valid for any  $R_0$ ; however, a  $R_0$  value in this range should provide good resolution for the voltage measurements.

## Annex 5

### Confirmation method for function of on-board isolation resistance monitoring system

The function of the on-board isolation resistance monitoring system shall be confirmed by the following method:

Insert a resistor that does not cause the isolation resistance between the terminal being monitored and the electrical chassis to drop below the minimum required isolation resistance value. The warning shall be activated.

## Annex 6 - Part 1

### Essential characteristics of road vehicles or systems

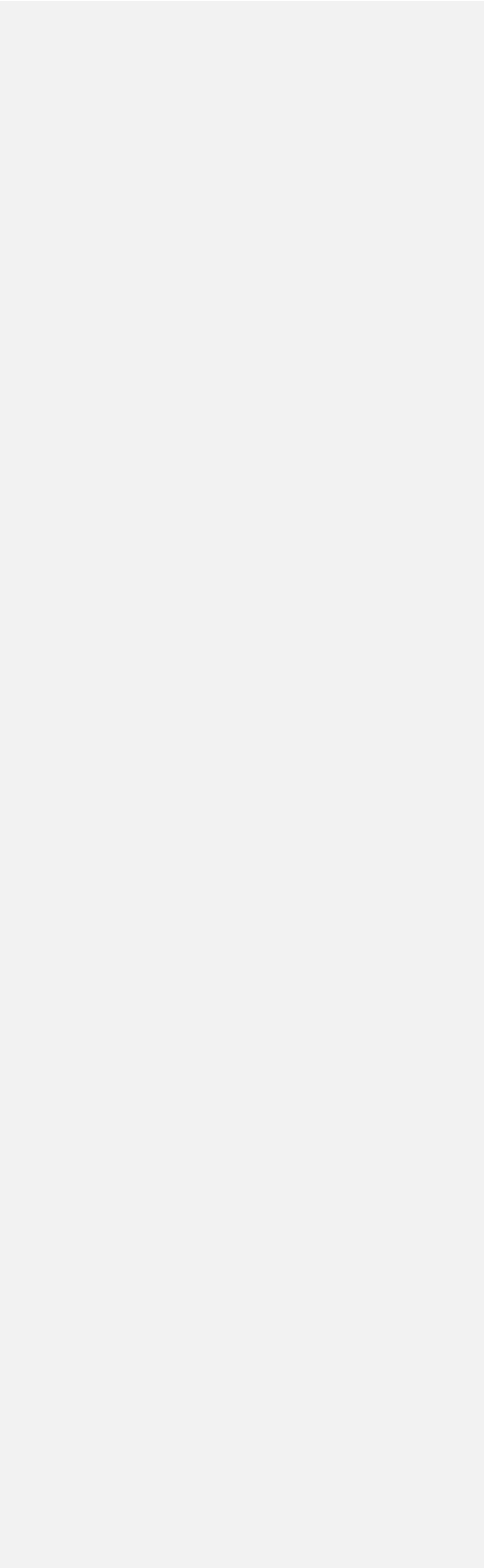
1. General
  - 1.1. Make (trade name of manufacturer): .....
  - 1.2. Type: .....
  - 1.3. Vehicle category: .....
  - 1.4. Commercial name(s) if available: .....  
.....
  - 1.5. Manufacturer's name and address: .....  
.....
  - 1.6. If applicable, name and address of manufacturer's representative: .....
  - 1.7. Drawing and/or photograph of the vehicle: .....
  - 1.8. Approval number of the REESS: .....
  - 1.9. Passenger compartment: Yes / No <sup>1</sup>: .....
2. Electric motor (traction motor)
  - 2.1. Type (winding, excitation): .....
  - 2.2. Maximum net power and / or maximum 30 minutes power (kW): .....
3. REESS
  - 3.1. Trade name and mark of the REESS: .....
  - 3.2. Indication of all types of cells: .....
  - 3.2.1. The cell chemistry:.....
  - 3.2.2. Physical dimensions:.....
  - 3.2.3. Capacity of the cell (Ah): .....
  - 3.3. Description or drawing(s) or picture(s) of the REESS explaining:

---

<sup>1</sup> Strike out what does not apply.

- 3.3.1. Structure: .....
- 3.3.2. Configuration (number of cells, mode of connection, etc.): .....
- 3.3.3. Dimensions: .....
- 3.3.4. Casing (construction, materials and physical dimensions): .....
- 3.4. Electrical specification: .....
- 3.4.1. Nominal voltage (V): .....
- 3.4.2. Working voltage (V): .....
- 3.4.3. Capacity (Ah): .....
- 3.4.4. Maximum current (A): .....
- 3.5. Gas combination rate (in per cent): .....
- 3.6. Description or drawing(s) or picture(s) of the installation of the REESS in the vehicle: .....
- 3.6.1. Physical support: .....
- 3.7. Type of thermal management .....
- 3.8. Electronic control: .....
- 4. Fuel Cell (if any)
- 4.1. Trade name and mark of the fuel cell: .....
- .....
- 4.2. Types of fuel cell: .....
- 4.3. Nominal voltage (V): .....
- 4.4. Number of cells: .....
- 4.5. Type of cooling system (if any): .....
- 4.6. Max Power(kW): .....
- 5. Fuse and/or circuit breaker
- 5.1. Type: .....
- 5.2. Diagram showing the functional range: .....
- 6. Power wiring harness
- 6.1. Type: .....

- 7. Protection against Electric Shock
  - 7.1. Description of the protection concept: .....
- 8. Additional data
  - 8.1. Brief description of the power circuit components installation or drawings/  
pictures showing the location of the power circuit components installation: .....
  - 8.2. Schematic diagram of all electrical functions included in power circuit: .....
  - 8.3. Working voltage (V): .....
  - 8.4. System descriptions for low performance driving mode(s) .....
  - 8.4.1 Systems' SOC level(s) for which power reduction is activated, descriptions,  
rationales .....
  - 8.4.2 Descriptions for systems' reduced power mode(s) and similar mode(s),  
rationales.....





## Annex 6 - Part 2

### Essential characteristics of REESS

1. REESS
  - 1.1. Trade name and mark of the REESS: .....
  - 1.2. Indication of all types of cells: .....
  - 1.2.1. The cell chemistry: .....
  - 1.2.2. Physical dimensions: .....
  - 1.2.3. Capacity of the cell (Ah): .....
  - 1.3. Description or drawing(s) or picture(s) of the REESS explaining
    - 1.3.1. Structure: .....
    - 1.3.2. Configuration (number of cells, mode of connection, etc.): .....
    - 1.3.3. Dimensions: .....
    - 1.3.4. Casing (construction, materials and physical dimensions): .....
    - 1.3.5. Mass of REESS (kg): .....
  - 1.4. Electrical specification
    - 1.4.1. Nominal voltage (V): .....
    - 1.4.2. Working voltage (V): .....
    - 1.4.3. Capacity (Ah): .....
    - 1.4.4. Maximum current (A): .....
  - 1.5. Gas combination rate (in percentage): .....
  - 1.6. Description or drawing(s) or picture(s) of the installation of the REESS in the vehicle: .....
  - 1.6.1. Physical support: .....
  - 1.7. Type of thermal management: .....
  - 1.8. Electronic control: .....
  - 1.9. Category of vehicles on which the REESS can be installed: .....

## Annex 6 - Part 3

### Essential characteristics of road vehicles or systems with chassis connected to electrical circuits

1. General
  - 1.1. Make (trade name of manufacturer): .....
  - 1.2. Type: .....
  - 1.3. Vehicle category: .....
  - 1.4. Commercial name(s) if available: .....
  - 1.5. Manufacturer's name and address: .....
  - 1.6. If applicable, name and address of manufacturer's representative: .....
  - 1.7. Drawing and/or photograph of the vehicle: .....
  - 1.8. Approval number of the REESS: .....
  - 1.9. Passenger compartment: Yes / No <sup>1</sup>: .....
2. REESS
  - 2.1. Trade name and mark of the REESS: .....
  - 2.2. The cell chemistry: .....
  - 2.3. Electrical specification:
    - 2.3.1. Nominal voltage (V): .....
    - 2.3.2. Capacity (Ah): .....
    - 2.3.3. Maximum current (A): .....
  - 2.4. Gas combination rate (in per cent): .....
  - 2.5. Description or drawing(s) or picture(s) of the installation of the REESS in the vehicle: .....
3. Additional data
  - 3.1. Working voltage (V) AC circuit: .....
  - 3.2. Working voltage (V) DC circuit: .....

---

<sup>1</sup> Strike out what does not apply.

## Annex 7

### Determination of hydrogen emissions during the charge procedures of the REESS

1. Introduction

This annex describes the procedure for the determination of hydrogen emissions during the charge procedures of the REESS of all road vehicles, according to paragraph 5.4. of this Regulation.
2. Description of test

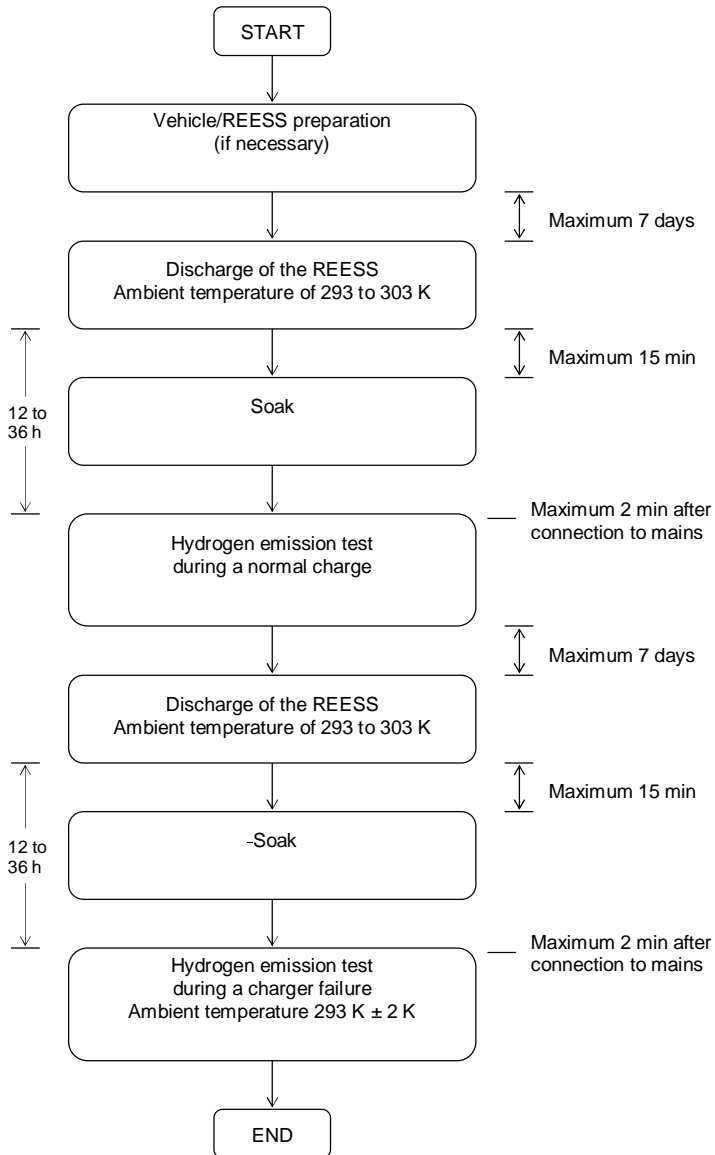
The hydrogen emission test (Figure 7.1 of the present annex) is conducted in order to determine hydrogen emissions during the charge procedures of the REESS with the charger. The test consists in the following steps:

  - (a) Vehicle/REESS preparation;
  - (b) Discharge of the REESS;
  - (c) Determination of hydrogen emissions during a normal charge;
  - (d) Determination of hydrogen emissions during a charge carried out with the charger failure.
3. Tests
  - 3.1. Vehicle based test
    - 3.1.1. The vehicle shall be in good mechanical condition and have been driven at least 300 km during seven days before the test. The vehicle shall be equipped with the REESS subject to the test of hydrogen emissions, over this period.
    - 3.1.2. If the REESS is used at a temperature above the ambient temperature, the operator shall follow the manufacturer's procedure in order to keep the REESS temperature in normal functioning range.

The manufacturer's representative shall be able to certify that the temperature conditioning system of the REESS is neither damaged nor presenting a capacity defect.
  - 3.2. Component based test
    - 3.2.1. The REESS shall be in good mechanical condition and have been subject to minimum of 5 standard cycles (as specified in Annex 8, Appendix 1).
    - 3.2.2. If the REESS is used at a temperature above the ambient temperature, the operator shall follow the manufacturer's procedure in order to keep the REESS temperature in its normal functioning range.

The manufacturer's representative shall be able to certify that the temperature conditioning system of the REESS is neither damaged nor presenting a capacity defect

Figure 7.1  
Determination of hydrogen emissions during the charge procedures of the REESS



4. Test equipment for hydrogen emission test

4.1. Chassis dynamometer

The chassis dynamometer shall meet the requirements of the 06 series of amendments to Regulation No. 83.

Kommentiert [MI 3]: Is this OK?

4.2. Hydrogen emission measurement enclosure

The hydrogen emission measurement enclosure shall be a gas-tight measuring chamber able to contain the vehicle/REESS under test. The vehicle/REESS shall be accessible from all sides and the enclosure when sealed shall be gas-tight in accordance with Appendix 1 to this annex. The inner surface of the enclosure shall be impermeable and non-reactive to hydrogen. The temperature conditioning system shall be capable of controlling the internal enclosure air temperature to follow the prescribed temperature throughout the test, with an average tolerance of  $\pm 2$  K over the duration of the test.

To accommodate the volume changes due to enclosure hydrogen emissions, either a variable-volume or another test equipment may be used. The variable-volume enclosure expands and contracts in response to the hydrogen emissions in the enclosure. Two potential means of accommodating the internal volume changes are movable panels, or a bellows design, in which impermeable bags inside the enclosure expand and contract in response to internal pressure changes by exchanging air from outside the enclosure. Any design for volume accommodation shall maintain the integrity of the enclosure as specified in Appendix 1 to this annex.

Any method of volume accommodation shall limit the differential between the enclosure internal pressure and the barometric pressure to a maximum value of  $\pm 5$ hPa.

The enclosure shall be capable of latching to a fixed volume. A variable volume enclosure shall be capable of accommodating a change from its "nominal volume" (see Annex 7, Appendix 1, paragraph 2.1.1.), taking into account hydrogen emissions during testing.

4.3. Analytical systems

4.3.1. Hydrogen analyser

4.3.1.1. The atmosphere within the chamber is monitored using a hydrogen analyser (electrochemical detector type) or a chromatograph with thermal conductivity detection. Sample gas shall be drawn from the mid-point of one side-wall or roof of the chamber and any bypass flow shall be returned to the enclosure, preferably to a point immediately downstream of the mixing fan.

4.3.1.2. The hydrogen analyser shall have a response time to 90 per cent of final reading of less than 10 seconds. Its stability shall be better than 2 per cent of full scale at zero and at 80 per cent  $\pm 20$  per cent of full scale, over a 15-minute period for all operational ranges.

4.3.1.3. The repeatability of the analyser expressed as one standard deviation shall be better than 1 per cent of full scale, at zero and at 80 per cent  $\pm 20$  per cent of full scale on all ranges used.

4.3.1.4. The operational ranges of the analyser shall be chosen to give best resolution over the measurement, calibration and leak checking procedures.

- 4.3.2. Hydrogen analyser data recording system
- The hydrogen analyser shall be fitted with a device to record electrical signal output, at a frequency of at least once per minute. The recording system shall have operating characteristics at least equivalent to the signal being recorded and shall provide a permanent record of results. The recording shall show a clear indication of the beginning and end of the normal charge test and charging failure operation.
- 4.4. Temperature recording
- 4.4.1. The temperature in the chamber is recorded at two points by temperature sensors, which are connected so as to show a mean value. The measuring points are extended approximately 0.1 m into the enclosure from the vertical centre line of each side-wall at a height of  $0.9 \pm 0.2$  m.
- 4.4.2. The temperatures in the proximity of the cells are recorded by means of the sensors.
- 4.4.3. Temperatures shall, throughout the hydrogen emission measurements, be recorded at a frequency of at least once per minute.
- 4.4.4. The accuracy of the temperature recording system shall be within  $\pm 1.0$  K and the temperature shall be capable of being resolved to  $\pm 0.1$  K.
- 4.4.5. The recording or data processing system shall be capable of resolving time to  $\pm 15$  seconds.
- 4.5. Pressure recording
- 4.5.1. The difference  $\Delta p$  between barometric pressure within the test area and the enclosure internal pressure shall, throughout the hydrogen emission measurements, be recorded at a frequency of at least once per minute.
- 4.5.2. The accuracy of the pressure recording system shall be within  $\pm 2$  hPa and the pressure shall be capable of being resolved to  $\pm 0.2$  hPa.
- 4.5.3. The recording or data processing system shall be capable of resolving time to  $\pm 15$  seconds.
- 4.6. Voltage and current intensity recording
- 4.6.1. The charger voltage and current intensity (battery) shall, throughout the hydrogen emission measurements, be recorded at a frequency of at least once per minute.
- 4.6.2. The accuracy of the voltage recording system shall be within  $\pm 1$  V and the voltage shall be capable of being resolved to  $\pm 0.1$  V.
- 4.6.3. The accuracy of the current intensity recording system shall be within  $\pm 0.5$  A and the current intensity shall be capable of being resolved to  $\pm 0.05$  A.
- 4.6.4. The recording or data processing system shall be capable of resolving time to  $\pm 15$  seconds.
- 4.7. Fans
- The chamber shall be equipped with one or more fans or blowers with a possible flow of 0.1 to 0.5 m<sup>3</sup>/second in order to thoroughly mix the atmosphere in the enclosure. It shall be possible to reach a homogeneous temperature and hydrogen concentration in the chamber during

measurements. The vehicle in the enclosure shall not be subjected to a direct stream of air from the fans or blowers.

4.8. Gases

4.8.1. The following pure gases shall be available for calibration and operation:

- (a) Purified synthetic air (purity < 1 ppm C<sub>1</sub> equivalent; < 1 ppm CO; < 400 ppm CO<sub>2</sub>; < 0.1 ppm NO ); oxygen content between 18 and 21 per cent by volume,
- (b) Hydrogen ( H<sub>2</sub> ), 99.5 per cent minimum purity.

4.8.2. Calibration and span gases shall contain mixtures of hydrogen (H<sub>2</sub>) and purified synthetic air. The real concentrations of a calibration gas shall be within ±2 per cent of the nominal values. The accuracy of the diluted gases obtained when using a gas divider shall be within ±2 per cent of the nominal value. The concentrations specified in Appendix 1 may also be obtained by a gas divider using synthetic air as the dilution gas.

5. Test procedure

The test consists in the five following steps:

- (a) Vehicle/REESS preparation;
- (b) Discharge of the REESS;
- (c) Determination of hydrogen emissions during a normal charge;
- (d) Discharge of the traction battery;
- (e) Determination of hydrogen emissions during a charge carried out with the charger failure.

If the vehicle/REESS has to be moved between two steps, it shall be pushed to the following test area.

5.1. Vehicle based test

5.1.1. Vehicle preparation

The ageing of REESS shall be checked, proving that the vehicle has performed at least 300 km during seven days before the test. During this period, the vehicle shall be equipped with the traction battery submitted to the hydrogen emission test. If this cannot be demonstrated then the following procedure will be applied.

5.1.1.1. Discharges and initial charges of the REESS

The procedure starts with the discharge of the REESS of the vehicle while driving on the test track or on a chassis dynamometer at a steady speed of 70 per cent ± 5 per cent of the maximum speed of the vehicle during 30 minutes.

Discharging is stopped:

- (a) When the vehicle is not able to run at 65 per cent of the maximum thirty minutes speed, or
- (b) When an indication to stop the vehicle is given to the driver by the standard on-board instrumentation, or
- (c) After having covered the distance of 100 km.

- 5.1.1.2. Initial charge of the REESS  
The charge is carried out:  
(a) With the charger,  
(b) In an ambient temperature between 293 K and 303 K.  
The procedure excludes all types of external chargers.  
The end of REESS charge criteria corresponds to an automatic stop given by the charger.  
This procedure includes all types of special charges that could be automatically or manually initiated like, for instance, the equalisation charges or the servicing charges.
- 5.1.1.3. Procedure from paragraphs 5.1.1.1. and 5.1.1.2. shall be repeated two times.
- 5.1.2. Discharge of the REESS  
The REESS is discharged while driving on the test track or on a chassis dynamometer at a steady speed of 70 per cent  $\pm$  5 per cent from the maximum thirty minutes speed of the vehicle.  
Stopping the discharge occurs:  
(a) When an indication to stop the vehicle is given to the driver by the standard on-board instrumentation, or  
(b) When the maximum speed of the vehicle is lower than 20 km/h.
- 5.1.3. Soak  
Within fifteen minutes of completing the battery discharge operation specified in paragraph 5.2., the vehicle is parked in the soak area. The vehicle is parked for a minimum of 12 hours and a maximum of 36 hours, between the end of the traction battery discharge and the start of the hydrogen emission test during a normal charge. For this period, the vehicle shall be soaked at  $293\text{ K} \pm 2\text{ K}$ .
- 5.1.4. Hydrogen emission test during a normal charge
- 5.1.4.1. Before the completion of the soak period, the measuring chamber shall be purged for several minutes until a stable hydrogen background is obtained. The enclosure mixing fan(s) shall also be turned on at this time.
- 5.1.4.2. The hydrogen analyser shall be zeroed and spanned immediately prior to the test.
- 5.1.4.3. At the end of the soak, the test vehicle, with the engine shut off and the test vehicle windows and luggage compartment opened shall be moved into the measuring chamber.
- 5.1.4.4. The vehicle shall be connected to the mains. The REESS is charged according to normal charge procedure as specified in paragraph 5.1.4.7. below.
- 5.1.4.5. The enclosure doors are closed and sealed gas-tight within two minutes from electrical interlock of the normal charge step.
- 5.1.4.6. The start of a normal charge for hydrogen emission test period begins when the chamber is sealed. The hydrogen concentration, temperature and



barometric pressure are measured to give the initial readings  $C_{H_2}$ ,  $T_i$  and  $P_i$  for the normal charge test.

These figures are used in the hydrogen emission calculation (paragraph 6. of this annex). The ambient enclosure temperature  $T$  shall not be less than 291 K and no more than 295 K during the normal charge period.

5.1.4.7. Procedure of normal charge

The normal charge is carried out with the charger and consists of the following steps:

- (a) Charging at constant power during  $t_1$ ;
- (b) Over-charging at constant current during  $t_2$ . Over-charging intensity is specified by manufacturer and corresponds to the one used during equalisation charging.

The end of REESS charge criteria corresponds to an automatic stop given by the charger to a charging time of  $t_1 + t_2$ . This charging time will be limited to  $t_1 + 5$  h, even if a clear indication is given to the driver by the standard instrumentation that the battery is not yet fully charged.

5.1.4.8. The hydrogen analyser shall be zeroed and spanned immediately before the end of the test.

5.1.4.9. The end of the emission sampling period occurs  $t_1 + t_2$  or  $t_1 + 5$  hours after the beginning of the initial sampling, as specified in paragraph 5.1.4.6. of this annex. The different times elapsed are recorded. The hydrogen concentration, temperature and barometric pressure are measured to give the final readings  $C_{H_2}$ ,  $T_f$  and  $P_f$  for the normal charge test, used for the calculation in paragraph 6. of this annex.

5.1.5. Hydrogen emission test with the charger failure

5.1.5.1. Within seven days maximum after having completed the prior test, the procedure starts with the discharge of the REESS of the vehicle according to paragraph 5.1.2. of this annex.

5.1.5.2. The steps of the procedure in paragraph 5.1.3. of this annex shall be repeated.

5.1.5.3. Before the completion of the soak period, the measuring chamber shall be purged for several minutes until a stable hydrogen background is obtained. The enclosure mixing fan(s) shall also be turned on at this time.

5.1.5.4. The hydrogen analyser shall be zeroed and spanned immediately prior to the test.

5.1.5.5. At the end of the soak, the test vehicle, with the engine shut off and the test vehicle windows and luggage compartment opened shall be moved into the measuring chamber.

5.1.5.6. The vehicle shall be connected to the mains. The REESS is charged according to failure charge procedure as specified in paragraph 5.1.5.9. below.

5.1.5.7. The enclosure doors are closed and sealed gas-tight within two minutes from electrical interlock of the failure charge step.

5.1.5.8. The start of a failure charge for hydrogen emission test period begins when the chamber is sealed. The hydrogen concentration, temperature and

barometric pressure are measured to give the initial readings  $C_{H_2}$ ,  $T_i$  and  $P_i$  for the failure charge test.

These figures are used in the hydrogen emission calculation (paragraph 6. of this annex). The ambient enclosure temperature  $T$  shall not be less than 291 K and no more than 295 K during the charging failure period.

5.1.5.9. Procedure of charging failure

The charging failure is carried out with the suitable charger and consists of the following steps:

- (a) Charging at constant power during  $t'_1$ ;
- (b) Charging at maximum current as recommended by the manufacturer during 30 minutes. During this phase, the charger shall supply maximum current as recommended by the manufacturer.

5.1.5.10. The hydrogen analyser shall be zeroed and spanned immediately before the end of the test.

5.1.5.11. The end of test period occurs  $t'_1 + 30$  minutes after the beginning of the initial sampling, as specified in paragraph 5.1.5.8. above. The times elapsed are recorded. The hydrogen concentration, temperature and barometric pressure are measured to give the final readings  $C_{H_2f}$ ,  $T_f$  and  $P_f$  for the charging failure test, used for the calculation in paragraph 6. of this annex.

5.2. Component based test

5.2.1. REESS preparation

The ageing of REESS shall be checked, to confirm that the REESS has performed at least 5 standard cycles (as specified in Annex 8, Appendix 1).

5.2.2. Discharge of the REESS

The REESS is discharged at 70 per cent  $\pm$  5 per cent of the nominal power of the system.

Stopping the discharge occurs when minimum SOC as specified by the manufacturer is reached.

5.2.3. Soak

Within 15 minutes of the end of the REESS discharge operation specified in paragraph 5.2.2. above, and before the start of the hydrogen emission test, the REESS shall be soaked at  $293\text{ K} \pm 2\text{ K}$  for a minimum period of 12 hours and a maximum of period of 36 hours.

5.2.4. Hydrogen emission test during a normal charge

5.2.4.1. Before the completion of the REESS's soak period, the measuring chamber shall be purged for several minutes until a stable hydrogen background is obtained. The enclosure mixing fan(s) shall also be turned on at this time.

5.2.4.2. The hydrogen analyser shall be zeroed and spanned immediately prior to the test.

5.2.4.3. At the end of the soak period, the REESS shall be moved into the measuring chamber.

5.2.4.4. The REESS shall be charged in accordance with the normal charge procedure as specified in paragraph 5.2.4.7. below.

- 5.2.4.5. The chamber shall be closed and sealed gas-tight within two minutes of the electrical interlock of the normal charge step.
- 5.2.4.6. The start of a normal charge for hydrogen emission test period shall begin when the chamber is sealed. The hydrogen concentration, temperature and barometric pressure are measured to give the initial readings  $C_{H_2}$ ,  $T_i$  and  $P_i$  for the normal charge test.
- These figures are used in the hydrogen emission calculation (paragraph 6. of this annex). The ambient enclosure temperature  $T$  shall not be less than 291 K and no more than 295 K during the normal charge period.
- 5.2.4.7. Procedure of normal charge
- The normal charge is carried out with a suitable charger and consists of the following steps:
- (a) Charging at constant power during  $t_1$ ;
  - (a) Over-charging at constant current during  $t_2$ . Over-charging intensity is specified by manufacturer and corresponding to that used during equalisation charging.
- The end of REESS charge criteria corresponds to an automatic stop given by the charger to a charging time of  $t_1 + t_2$ . This charging time will be limited to  $t_1 + 5$  h, even if a clear indication is given by a suitable instrumentation that the REESS is not yet fully charged.
- 5.2.4.8. The hydrogen analyser shall be zeroed and spanned immediately before the end of the test.
- 5.2.4.9. The end of the emission sampling period occurs  $t_1 + t_2$  or  $t_1 + 5$  h after the beginning of the initial sampling, as specified in paragraph 5.2.4.6. above. The different times elapsed are recorded. The hydrogen concentration, temperature and barometric pressure are measured to give the final readings  $C_{H_2}$ ,  $T_f$  and  $P_f$  for the normal charge test, used for the calculation in paragraph 6. of this annex
- 5.2.5. Hydrogen emission test with the charger failure
- 5.2.5.1. The test procedure shall start within a maximum of seven days after having completed the test in paragraph 5.2.4. above, the procedure shall start with the discharge of the REESS of the vehicle in accordance with paragraph 5.2.2. above.
- 5.2.5.2. The steps of the procedure in paragraph 5.2.3. above shall be repeated.
- 5.2.5.3. Before the completion of the soak period, the measuring chamber shall be purged for several minutes until a stable hydrogen background is obtained. The enclosure mixing fan(s) shall also be turned on at this time.
- 5.2.5.4. The hydrogen analyser shall be zeroed and spanned immediately prior to the test.
- 5.2.5.5. At the end of the soak the REESS shall be moved into the measuring chamber.
- 5.2.5.6. The REESS shall be charged according to the failure charge procedure as specified in paragraph 5.2.5.9. below.

- 5.2.5.7. The chamber shall be closed and sealed gas-tight within two minutes from electrical interlock of the failure charge step.
- 5.2.5.8. The start of a failure charge for hydrogen emission test period begins when the chamber is sealed. The hydrogen concentration, temperature and barometric pressure are measured to give the initial readings  $C_{H2i}$ ,  $T_i$  and  $P_i$  for the failure charge test.
- These figures are used in the hydrogen emission calculation (paragraph 6. of this annex). The ambient enclosure temperature  $T$  shall not be less than 291 K and no more than 295 K during the charging failure period.
- 5.2.5.9. Procedure of charging failure
- The charging failure is carried out with a suitable charger and consists of the following steps:
- Charging at constant power during  $t'_1$ ,
  - Charging at maximum current as recommended by the manufacturer during 30 minutes. During this phase, the charger shall supply maximum current as recommended by the manufacturer.
- 5.2.5.10. The hydrogen analyser shall be zeroed and spanned immediately before the end of the test.
- 5.2.5.11. The end of test period occurs  $t'_1 + 30$  minutes after the beginning of the initial sampling, as specified in paragraph 5.2.5.8. above. The times elapsed are recorded. The hydrogen concentration, temperature and barometric pressure are measured to give the final readings  $C_{H2f}$ ,  $T_f$  and  $P_f$  for the charging failure test, used for the calculation in paragraph 6. below.

## 6. Calculation

The hydrogen emission tests described in paragraph 5. above allow the calculation of the hydrogen emissions from the normal charge and charging failure phases. Hydrogen emissions from each of these phases are calculated using the initial and final hydrogen concentrations, temperatures and pressures in the enclosure, together with the net enclosure volume.

The formula below is used:

$$M_{H_2} = k \times V \times 10^{-4} \times \left( \frac{\left(1 + \frac{V_{out}}{V}\right) \times C_{H2f} \times P_f}{T_f} - \frac{C_{H2i} \times P_i}{T_i} \right)$$

Where:

- $M_{H_2}$  = hydrogen mass, in grams
- $C_{H_2}$  = measured hydrogen concentration in the enclosure, in ppm volume
- $V$  = net enclosure volume in cubic metres ( $m^3$ ) corrected for the volume of the vehicle, with the windows and the luggage compartment open. If the volume of the vehicle is not determined a volume of 1.42  $m^3$  is subtracted.

$V_{out}$  = compensation volume in  $m^3$ , at the test temperature and pressure

T = ambient chamber temperature, in K

P = absolute enclosure pressure, in kPa

k = 2.42

Where: i is the initial reading

f is the final reading

6.1. Results of test

The hydrogen mass emissions for the REESS are:

$M_N$  = hydrogen mass emission for normal charge test, in grams

$M_D$  = hydrogen mass emission for charging failure test, in grams

## Annex 7 - Appendix 1

### Calibration of equipment for hydrogen emission testing

1. Calibration frequency and methods

All equipment shall be calibrated before its initial use and then calibrated as often as necessary and in any case in the month before type approval testing. The calibration methods to be used are described in this appendix.
2. Calibration of the enclosure
  - 2.1. Initial determination of enclosure internal volume
    - 2.1.1. Before its initial use, the internal volume of the chamber shall be determined as follows. The internal dimensions of the chamber are carefully measured, taking into account any irregularities such as bracing struts. The internal volume of the chamber is determined from these measurements.

The enclosure shall be latched to a fixed volume when the enclosure is held at an ambient temperature of 293 K. This nominal volume shall be repeatable within  $\pm 0.5$  per cent of the reported value.
    - 2.1.2. The net internal volume is determined by subtracting 1.42 m<sup>3</sup> from the internal volume of the chamber. Alternatively the volume of the test vehicle with the luggage compartment and windows open or REESS may be used instead of the 1.42 m<sup>3</sup>.
    - 2.1.3. The chamber shall be checked as in paragraph 2.3. of this annex. If the hydrogen mass does not agree with the injected mass to within  $\pm 2$  per cent then corrective action is required.
  - 2.2. Determination of chamber background emissions

This operation determines that the chamber does not contain any materials that emit significant amounts of hydrogen. The check shall be carried out at the enclosure's introduction to service, after any operations in the enclosure which may affect background emissions and at a frequency of at least once per year.

    - 2.2.1. Variable-volume enclosure may be operated in either latched or unlatched volume configuration, as described in paragraph 2.1.1. above. Ambient temperature shall be maintained at 293 K  $\pm$  2 K, throughout the four-hour period mentioned below.
    - 2.2.2. The enclosure may be sealed and the mixing fan operated for a period of up to 12 hours before the four-hour background-sampling period begins.
    - 2.2.3. The analyser (if required) shall be calibrated, then zeroed and spanned.
    - 2.2.4. The enclosure shall be purged until a stable hydrogen reading is obtained, and the mixing fan turned on if not already on.
    - 2.2.5. The chamber is then sealed and the background hydrogen concentration, temperature and barometric pressure are measured. These are the initial readings  $C_{H_2}$ ,  $T_i$  and  $P_i$  used in the enclosure background calculation.

- 2.2.6. The enclosure is allowed to stand undisturbed with the mixing fan on for a period of four hours.
- 2.2.7. At the end of this time the same analyser is used to measure the hydrogen concentration in the chamber. The temperature and the barometric pressure are also measured. These are the final readings  $C_{H_2f}$ ,  $T_f$  and  $P_f$ .
- 2.2.8. The change in mass of hydrogen in the enclosure shall be calculated over the time of the test in accordance with paragraph 2.4. of this annex and shall not exceed 0.5 g.
- 2.3. Calibration and hydrogen retention test of the chamber
- The calibration and hydrogen retention test in the chamber provides a check on the calculated volume (paragraph 2.1. above) and also measures any leak rate. The enclosure leak rate shall be determined at the enclosure's introduction to service, after any operations in the enclosure which may affect the integrity of the enclosure, and at least monthly thereafter. If six consecutive monthly retention checks are successfully completed without corrective action, the enclosure leak rate may be determined quarterly thereafter as long as no corrective action is required.
- 2.3.1. The enclosure shall be purged until a stable hydrogen concentration is reached. The mixing fan is turned on, if not already switched on. The hydrogen analyser is zeroed, calibrated if required, and spanned.
- 2.3.2. The enclosure shall be latched to the nominal volume position.
- 2.3.3. The ambient temperature control system is then turned on (if not already on) and adjusted for an initial temperature of 293 K.
- 2.3.4. When the enclosure temperature stabilizes at  $293\text{ K} \pm 2\text{ K}$ , the enclosure is sealed and the background concentration, temperature and barometric pressure measured. These are the initial readings  $C_{H_2i}$ ,  $T_i$  and  $P_i$  used in the enclosure calibration.
- 2.3.5. The enclosure shall be unlatched from the nominal volume.
- 2.3.6. A quantity of approximately 100 g of hydrogen is injected into the enclosure. This mass of hydrogen shall be measured to an accuracy of  $\pm 2$  per cent of the measured value.
- 2.3.7. The contents of the chamber shall be allowed to mix for five minutes and then the hydrogen concentration, temperature and barometric pressure are measured. These are the final readings  $C_{H_2f}$ ,  $T_f$  and  $P_f$  for the calibration of the enclosure as well as the initial readings  $C_{H_2i}$ ,  $T_i$  and  $P_i$  for the retention check.
- 2.3.8. On the basis of the readings taken in paragraphs 2.3.4 and 2.3.7 above and the formula in paragraph 2.4. below, the mass of hydrogen in the enclosure is calculated. This shall be within  $\pm 2$  per cent of the mass of hydrogen measured in paragraph 2.3.6. above.
- 2.3.9. The contents of the chamber shall be allowed to mix for a minimum of 10 hours. At the completion of the period, the final hydrogen concentration, temperature and barometric pressure are measured and recorded. These are the final readings  $C_{H_2f}$ ,  $T_f$  and  $P_f$  for the hydrogen retention check.
- 2.3.10. Using the formula in paragraph 2.4. below, the hydrogen mass is then calculated from the readings taken in paragraphs 2.3.7 and 2.3.9. above. This

mass may not differ by more than 5 per cent from the hydrogen mass given by paragraph 2.3.8. above.

2.4. Calculation

The calculation of net hydrogen mass change within the enclosure is used to determine the chamber's hydrocarbon background and leak rate. Initial and final readings of hydrogen concentration, temperature and barometric pressure are used in the following formula to calculate the mass change.

$$M_{H_2} = k \times V \times 10^{-4} \times \left( \frac{\left(1 + \frac{V_{out}}{V}\right) \times C_{H_2f} \times P_f}{T_f} - \frac{C_{H_2i} \times P_i}{T_i} \right)$$

Where:

- $M_{H_2}$  = hydrogen mass, in grams  
 $C_{H_2}$  = measured hydrogen concentration into the enclosure, in ppm volume  
 $V$  = enclosure volume in cubic metres ( $m^3$ ) as measured in paragraph 2.1.1. above.  
 $V_{out}$  = compensation volume in  $m^3$ , at the test temperature and pressure  
 $T$  = ambient chamber temperature, in K  
 $P$  = absolute enclosure pressure, in kPa  
 $k$  = 2.42

Where:  $i$  is the initial reading  
 $f$  is the final reading

3. Calibration of the hydrogen analyser

The analyser should be calibrated using hydrogen in air and purified synthetic air. See paragraph 4.8.2. of Annex 7.

Each of the normally used operating ranges are calibrated by the following procedure:

- 3.1. Establish the calibration curve by at least five calibration points spaced as evenly as possible over the operating range. The nominal concentration of the calibration gas with the highest concentrations to be at least 80 per cent of the full scale.
- 3.2. Calculate the calibration curve by the method of least squares. If the resulting polynomial degree is greater than three, then the number of calibration points shall be at least the number of the polynomial degree plus two.
- 3.3. The calibration curve shall not differ by more than two per cent from the nominal value of each calibration gas.
- 3.4. Using the coefficients of the polynomial derived from paragraph 3.2. above, a table of analyser readings against true concentrations shall be drawn by steps



no greater than 1 per cent of full scale. This is to be carried out for each analyser range calibrated.

This table shall also contain other relevant data such as:

- (a) Date of calibration;
- (b) Span and zero potentiometer readings (where applicable);
- (c) Nominal scale;
- (d) Reference data of each calibration gas used;
- (e) Real and indicated value of each calibration gas used together with the percentage differences;
- (f) Calibration pressure of analyser.

- 3.5. Alternative methods (e.g. computer, electronically controlled range switch) can be used if it is proven to the technical service that these methods give equivalent accuracy.

## Annex 7 - Appendix 2

### Essential characteristics of the vehicle family

1. Parameters defining the family relative to hydrogen emissions  

The family may be defined by basic design parameters which shall be common to vehicles within the family. In some cases there may be interaction of parameters. These effects shall also be taken into consideration to ensure that only vehicles with similar hydrogen emission characteristics are included within the family.
2. To this end, those vehicle types whose parameters described below are identical are considered to belong to the same hydrogen emissions.  
REESS:
  - (a) Trade name or mark of the REESS;
  - (b) Indication of all types of electrochemical couples used;
  - (c) Number of REESS cells;
  - (d) Number of REESS subsystems;
  - (e) Nominal voltage of the REESS (V);
  - (f) REESS energy (kWh);
  - (g) Gas combination rate (in per cent);
  - (h) Type(s) of ventilation for REESS subsystem(s);
  - (i) Type of cooling system (if any).On-board charger:
  - (a) Make and type of different charger parts;
  - (b) Output nominal power (kW);
  - (c) Maximum voltage of charge (V);
  - (d) Maximum intensity of charge (A);
  - (e) Make and type of control unit (if any);
  - (f) Diagram of operating, controls and safety;
  - (g) Characteristics of charge periods.

## Annex 8

### REESS test procedures

#### Annex 8 - Appendix 1

##### Procedure for conducting a standard cycle

A standard cycle will start with a standard discharge followed by a standard charge.

Standard discharge:

Discharge rate: The discharge procedure including termination criteria shall be defined by the manufacturer. If not specified, then it shall be a discharge with 1C current.

Discharge limit (end voltage): Specified by the manufacturer

Rest period after discharge: Minimum 30 min

Standard charge: The charge procedure including termination criteria shall be defined by the manufacturer. If not specified, then it shall be a charge with C/3 current.

## Annex 8A

### Vibration test

1. Purpose  
The purpose of this test is to verify the safety performance of the REESS under a vibration environment which the REESS will likely experience during the normal operation of the vehicle.
2. Installations
  - 2.1. This test shall be conducted either with the complete REESS or with a related REESS subsystem(s) including the cells and their electrical connections. If the manufacturer chooses to test with related subsystem(s), the manufacturer shall demonstrate that the test result can reasonably represent the performance of the complete REESS with respect to its safety performance under the same conditions. If the electronic management unit for the REESS is not integrated in the casing enclosing the cells, then the electronic management unit may be omitted from installation on the tested-device if so requested by the manufacturer.
  - 2.2. The tested-device shall be firmly secured to the platform of the vibration machine in such a manner as to ensure that the vibrations are directly transmitted to the tested-device.
3. Procedures
  - 3.1. General test conditions  
The following conditions shall apply to the tested-device:
    - (a) The test shall be conducted at an ambient temperature of  $20 \pm 10$  °C;
    - (b) At the beginning of the test, the SOC shall be adjusted to a value in the upper 50 per cent of the normal operating SOC range of the tested-device;
    - (c) At the beginning of the test, all protection devices which affect the function(s) of the tested-device that are relevant to the outcome of the test shall be operational.
  - 3.2. Test procedures  
The tested-devices shall be subjected to a vibration having a sinusoidal waveform with a logarithmic sweep between 7 Hz and 200 Hz and back to 7 Hz traversed in 15 minutes  
  
This cycle shall be repeated 12 times for a total of 3 hours in the vertical direction of the mounting orientation of the REESS as specified by the manufacturer.  
  
The correlation between frequency and acceleration shall be as shown in table 1 and table 2.

Kommentiert [14]: IMMA requests a study reservation for requirements/test details for category L, to be clarified or confirmed ASAP.

Table 1:

Frequency and acceleration (gross mass of Tested-Device less than 12 kg)

| Frequency [Hz]        | Acceleration [m/s <sup>2</sup> ]  |
|-----------------------|-----------------------------------|
| 7 - 18                | 10                                |
| 18 - 50 <sup>1)</sup> | gradually increased from 10 to 80 |
| 50 - 200              | 80                                |

Kommentiert [15]: The values in the tables require further confirmation by IMMA. To be put in brackets. UN38.3 developments need to be studied.

Table 2

Frequency and acceleration (gross mass of Tested-Device of 12 kg or more)

| Frequency [Hz] | Acceleration [m/s <sup>2</sup> ]  |
|----------------|-----------------------------------|
| 7 - 18         | 10                                |
| 18 - 25        | gradually increased from 10 to 20 |
| 25 - 200       | 20                                |

<sup>1)</sup> The amplitude is then maintained at 0.8 mm (1.6 mm total excursion) and the frequency is increased until the maximum acceleration as described in table 1 or table 2 occurs.

At the request of the manufacturer, a higher acceleration level as well as a higher maximum frequency may be used.

At the request of the manufacturer a vibration test profile determined by the vehicle-manufacturer, verified for the vehicle application and agreed with the Technical Service may be used as a substitute for the frequency - acceleration correlation of table 1 or table 2.

The approval of a REESS tested according to this condition shall be limited to approvals for a specific vehicle type.

After the vibration, a standard cycle as described in Annex 8, Appendix 1 shall be conducted, if not inhibited by the tested-device.

The test shall end with an observation period of 1 h at the ambient temperature conditions of the test environment.

## Annex 8B

### Thermal shock and cycling test

#### 1. Purpose

The purpose of this test is to verify the resistance of the REESS to sudden changes in temperature. The REESS shall undergo a specified number of temperature cycles, which start at ambient temperature followed by high and low temperature cycling. It simulates a rapid environmental temperature change which a REESS would likely experience during its life.

#### 2. Installations

This test shall be conducted either with the complete REESS or with related REESS subsystem(s) of the REESS including the cells and their electrical connections. If the manufacturer chooses to test with related subsystem(s), the manufacturer shall demonstrate that the test result can reasonably represent the performance of the complete REESS with respect to its safety performance under the same conditions. If the electronic management unit for the REESS is not integrated in the casing enclosing the cells, then the electronic management unit may be omitted from installation on the tested-device if so requested by the manufacturer.

#### 3. Procedures

##### 3.1. General test conditions

The following conditions shall apply to the tested-device at the start of the test:

- (a) The SOC shall be adjusted to a value in the upper 50 per cent of the normal operating SOC range;
- (b) All protection devices, which would affect the function of the tested-device and which are relevant to the outcome of the test shall be operational.

##### 3.2. Test procedure

The tested-device shall be stored for at least six hours at a test temperature equal to  $60 \pm 2$  °C or higher if requested by the manufacturer, followed by storage for at least six hours at a test temperature equal to  $-40 \pm 2$  °C or lower if requested by the manufacturer. The maximum time interval between test temperature extremes shall be 30 minutes. This procedure shall be repeated until a minimum of 5 total cycles are completed, after which the tested-device shall be stored for 24 hours at an ambient temperature of  $20 \pm 10$  °C.

After the storage for 24 hours, a standard cycle as described in Annex 8, Appendix 1 shall be conducted, if not inhibited by the tested-device.

The test shall end with an observation period of 1 h at the ambient temperature conditions of the test environment.

## Annex 8C

### Mechanical Drop Test for removable REESS

1. Purpose  
Simulates a mechanical impact load which may occur at an unintended drop after REESS removal.
2. Procedures
  - 2.1. General test conditions  
The following conditions shall apply to the removed REESS at the start of the test
    - (a) Adjust the SOC to fully charge before starting the test.
    - (b) The test shall be performed at  $20\text{ }^{\circ}\text{C} \pm 10\text{ }^{\circ}\text{C}$
  - 2.2. Test Procedure  
Free fall of the removed REESS from a height of 1.0 m (from bottom of the REESS) to a smooth, horizontal concrete pad or other flooring type with equivalent hardness.  
  
The removed REESS shall be dropped six times from different orientations as decided by the Technical Service. The manufacturer may decide to use a different removed REESS for each drop.  
  
Directly after the termination of the drop test a standard cycle as described in Annex 8 shall be conducted, if not inhibited.  
  
The test shall end with an observation period of 1 h at the ambient temperature conditions of the test environment.

## Annex 8D

### Mechanical shock resulting from stationary vehicle fall-down

1. Purpose  
The purpose of this test is to verify the safety performance of the REESS under mechanical shock which may occur during fall on the side from stationary or parked situation.
2. Installations
  - 2.1. This test shall be conducted either with the complete REESS or with related subsystems of the REESS including the cells and their electrical connections.  
  
If the manufacturer chooses to test with related subsystem(s), the manufacturer shall demonstrate that the test result can reasonably represent the performance of the complete REESS with respect to its safety performance under the same conditions.  
  
If the electronic management unit for the REESS is not integrated, then such a control unit may be omitted from installation on the Tested-Device if so requested by the manufacturer.
  - 2.2. The Tested-Device shall be connected to the test fixture only by the intended mountings provided for the purpose of attaching the REESS or REESS subsystem to the vehicle.
3. Procedures
  - 3.1. General test conditions and requirements.  
  
The following condition shall apply to the test:
    - (a) the test shall be conducted at an ambient temperature of  $20 \pm 10$  °C.
    - (b) at the beginning of the test, the SOC shall be adjusted to a value in the upper 50% of the normal operating SOC range.
    - (c) at the beginning of the test, all protection devices which effect the function of the tested-device and which are relevant to the outcome of the test, shall be operational.
  - 3.2. Test Procedure  
The tested-device shall be secured to the testing machine by means of a rigid mount which will support all mounting surfaces of the tested-device.  
  
The tested-device with
    - a gross mass of less than 12 kg shall be subjected to a half-sine shock of peak acceleration of  $1,500 \text{ m/s}^2$  and pulse duration of 6 milliseconds.
    - a gross mass of 12 kg or more shall be subjected to a half-sine shock of peak acceleration of  $500 \text{ m/s}^2$  and pulse duration of 11 milliseconds.



For both the tested-device shall be subjected to three shocks in the positive direction followed by three shocks in the negative direction of each three mutually perpendicular mounting positions of the tested-device for a total of 18 shocks.

Directly after the termination of the mechanical shock test a standard cycle as described in Annex 8 shall be conducted, if not inhibited.

The test shall end with an observation period of 1 h at the ambient temperature conditions of the test environment.

## Annex 8E

### Fire resistance

#### 1. Purpose

The purpose of this test is to verify the resistance of the REESS, against exposure to fire from outside of the vehicle due to e.g. a fuel spill from a vehicle (either the vehicle itself or a nearby vehicle). This situation should leave the driver and passengers with enough time to evacuate.

#### 2. Installations

- 2.1. This test shall be conducted either with the complete REESS or with related REESS subsystem(s) including the cells and their electrical connections. If the manufacturer chooses to test with related subsystem(s), the manufacturer shall demonstrate that the test result can reasonably represent the performance of the complete REESS with respect to its safety performance under the same conditions. If the electronic management unit for the REESS is not integrated in the casing enclosing the cells, then the electronic management unit may be omitted from installation on the tested-device if so requested by the manufacturer. Where the relevant REESS subsystems are distributed throughout the vehicle, the test may be conducted on each relevant of the REESS subsystem.

#### 3. Procedures

##### 3.1. General test conditions

The following requirements and conditions shall apply to the test:

- (a) The test shall be conducted at a temperature of at least 0 °C;
- (b) At the beginning of the test, the SOC shall be adjusted to a value in the upper 50 per cent of the normal operating SOC range;
- (c) At the beginning of the test, all protection devices which effect the function of the tested-device and are relevant for the outcome of the test shall be operational.

##### 3.2. Test procedure

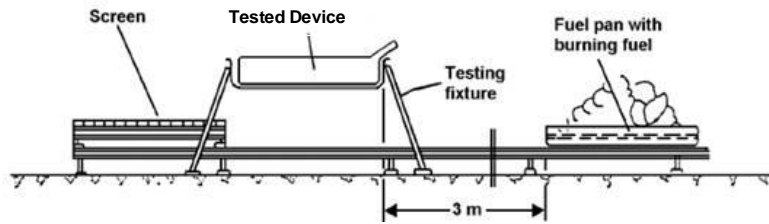
A vehicle based test or a component based test shall be performed at the discretion of the manufacturer:

##### 3.2.1. Vehicle based test

The tested-device shall be mounted in a testing fixture simulating actual mounting conditions as far as possible; no combustible material should be used for this with the exception of material that is part of the REESS. The method whereby the tested-device is fixed in the fixture shall correspond to the relevant specifications for its installation in a vehicle. In the case of a REESS designed for a specific vehicle use, vehicle parts which affect the course of the fire in any way shall be taken into consideration.

- 3.2.2. Component based test
- The tested-device shall be placed on a grating table positioned above the pan, in an orientation according to the manufacturer's design intent.
- The grating table shall be constructed by steel rods, diameter 6-10 mm, with 4-6 cm in between. If needed the steel rods could be supported by flat steel parts.
- 3.3. The flame to which the tested-device is exposed shall be obtained by burning commercial fuel for positive-ignition engines (hereafter called "fuel") in a pan. The quantity of fuel shall be sufficient to permit the flame, under free-burning conditions, to burn for the whole test procedure.
- The fire shall cover the whole area of the pan during whole fire exposure. The pan dimensions shall be chosen so as to ensure that the sides of the tested-device are exposed to the flame. The pan shall therefore exceed the horizontal projection of the tested-device by at least 20 cm, but not more than 50 cm. The sidewalls of the pan shall not project more than 8 cm above the level of the fuel at the start of the test.
- 3.4. The pan filled with fuel shall be placed under the tested-device in such a way that the distance between the level of the fuel in the pan and the bottom of the tested-device corresponds to the design height of the tested-device above the road surface at the unladen mass if paragraph 3.2.1. above is applied or approximately 50 cm if paragraph 3.2.2. above is applied. Either the pan, or the testing fixture, or both, shall be freely movable.
- 3.5. During phase C of the test, the pan shall be covered by a screen. The screen shall be placed 3 cm +/- 1 cm above the fuel level measured prior to the ignition of the fuel. The screen shall be made of a refractory material, as prescribed in Annex 8E - Appendix 1. There shall be no gap between the bricks and they shall be supported over the fuel pan in such a manner that the holes in the bricks are not obstructed. The length and width of the frame shall be 2 cm to 4 cm smaller than the interior dimensions of the pan so that a gap of 1 cm to 2 cm exists between the frame and the wall of the pan to allow ventilation. Before the test the screen shall be at least at the ambient temperature. The firebricks may be wetted in order to guarantee repeatable test conditions.
- 3.6. If the tests are carried out in the open air, sufficient wind protection shall be provided and the wind velocity at pan level shall not exceed 2.5 km/h.
- 3.7. The test shall comprise of three phases B-D, if the fuel is at least at temperature of 20 °C. Otherwise the test shall comprise four phases A-D.
- 3.7.1. Phase A: Pre-heating (Figure 1)
- The fuel in the pan shall be ignited at a distance of at least 3 m from the tested-device. After 60 seconds pre-heating, the pan shall be placed under the tested-device. If the size of the pan is too large to be moved without risking liquid spills etc. then the tested-device and test rig can be moved over the pan instead.

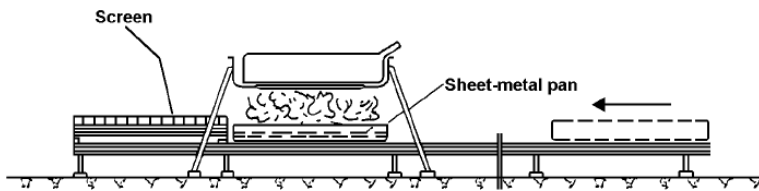
Figure 1  
Phase A: Pre-heating



3.7.2. Phase B: Direct exposure to flame (Figure 2)

The tested-device shall be exposed to the flame from the freely burning fuel for 70 seconds.

Figure 2  
Phase B: Direct exposure to flame



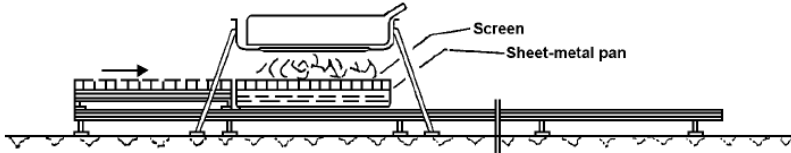
3.7.3. Phase C: Indirect exposure to flame (Figure 3)

As soon as phase B has been completed, the screen shall be placed between the burning pan and the tested-device. The tested-device shall be exposed to this reduced flame for a further 60 seconds.

Instead of conducting phase C of the test, phase B may at the manufacturer's discretion be continued for an additional 60 seconds.

However this shall only be permitted where it is demonstrable to the satisfaction of the Technical Service that it will not result in a reduction in the severity of the test.

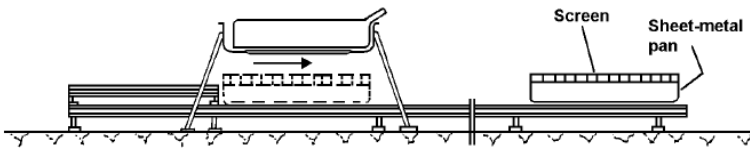
Figure 3  
Phase C: Indirect exposure to flame



3.7.4. Phase D: End of test (Figure 4)

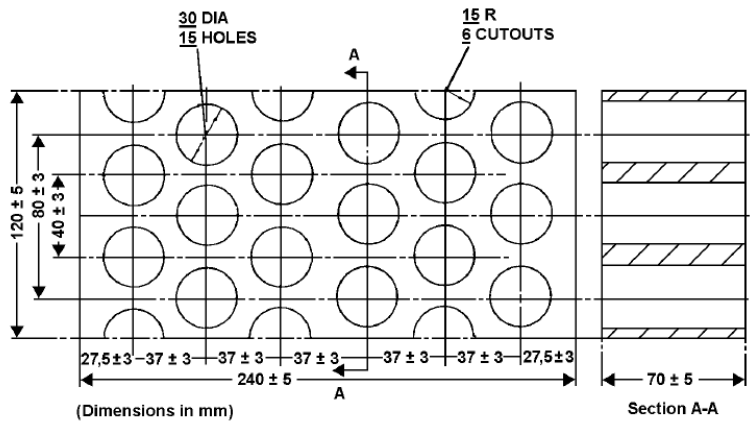
The burning pan covered with the screen shall be moved back to the position described in phase A. No extinguishing of the tested-device shall be done. After removal of the pan the tested-device shall be observed until such time as the surface temperature of the tested-device has decreased to ambient temperature or has been decreasing for a minimum of 3 hours.

Figure 4  
Phase D: End of test



Annex 8E - Appendix 1

Dimension and technical data of firebricks



|   |                                 |
|---|---------------------------------|
| Fire resistance:                        | (Seger-Kegel) SK 30             |
| Al <sub>2</sub> O <sub>3</sub> content: | 30 - 33 per cent                |
| Open porosity (Po):                     | 20 - 22 per cent vol.           |
| Density:                                | 1,900 - 2,000 kg/m <sup>3</sup> |
| Effective holed area:                   | 44.18 per cent                  |

## Annex 8F

### External short circuit protection

#### 1. Purpose

The purpose of this test is to verify the performance of the short circuit protection. This functionality, if implemented, shall interrupt or limit the short circuit current to prevent the REESS from any further related severe events caused by short circuit current.

#### 2. Installations

This test shall be conducted either with the complete REESS or with related REESS subsystem(s), including the cells and their electrical connections. If the manufacturer chooses to test with related subsystem(s), the manufacturer shall demonstrate that the test result can reasonably represent the performance of the complete REESS with respect to its safety performance under the same conditions. If the electronic management unit for the REESS is not integrated in the casing enclosing the cells, then the electronic management unit may be omitted from installation on the tested-device if so requested by the manufacturer.

#### 3. Procedures

##### 3.1. General test conditions

The following condition shall apply to the test:

- (a) The test shall be conducted at a ambient temperature of  $20 \pm 10$  °C or at higher temperature if requested by the manufacturer;
- (b) At the beginning of the test, the SOC shall be adjusted to a value in the upper 50 per cent of the normal operating SOC range;
- (c) At the beginning of the test, all protection devices which would affect the function of the tested-device and which are relevant to the outcome of the test shall be operational.

##### 3.2. Short circuit

At the start of the test all relevant main contactors for charging and discharging shall be closed to represent the active driving possible mode as well as the mode to enable external charging. If this cannot be completed in a single test, then two or more tests shall be conducted.

The positive and negative terminals of the tested-device shall be connected to each other to produce a short circuit. The connection used for this purpose shall have a resistance not exceeding 5 mΩ.

The short circuit condition shall be continued until the operation of the REESS's protection function to interrupt or limit the short circuit current is confirmed, or for at least one hour after the temperature measured on the casing of the tested-device has stabilised, such that the temperature gradient varies by a less than 4 °C through 1 hour.

3.3. Standard cycle and observation period

Directly after the termination of the short circuit a standard cycle as described in Annex 8, Appendix 1 shall be conducted, if not inhibited by the tested-device.

The test shall end with an observation period of 1 h at the ambient temperature conditions of the test environment.



## Annex 8G

### Overcharge protection

#### 1. Purpose

The purpose of this test is to verify the performance of the overcharge protection.

#### 2. Installations

This test shall be conducted, under standard operating conditions, either with the complete REESS (this maybe a complete vehicle) or with related REESS subsystem(s), including the cells and their electrical connections. If the manufacturer chooses to test with related subsystem(s), the manufacturer shall demonstrate that the test result can reasonably represent the performance of the complete REESS with respect to its safety performance under the same conditions.

The test may be performed with a modified tested-device as agreed by the manufacturer and the Technical Service. These modifications shall not influence the test results.

#### 3. Procedures

##### 3.1. General test conditions

The following requirements and conditions shall apply to the test:

- (a) The test shall be conducted at an ambient temperature of  $20 \pm 10$  °C or at higher temperature if requested by the manufacturer;
- (b) At the beginning of the test, all protection devices which would affect the function of the tested-device and which are relevant to the outcome of the test shall be operational.

##### 3.2. Charging

At the beginning all relevant main contactors for charging shall be closed.

The charge control limits of the test equipment shall be disabled.

The tested-device shall be charged with a charge current of at least 1/3C rate but not exceeding the maximum current within the normal operating range as specified by the manufacturer.

The charging shall be continued until the tested-device (automatically) interrupts or limits the charging. Where an automatic interrupt function fails to operate, or if there is no such function the charging shall be continued until the tested-device is charged to twice of its rated charge capacity.

##### 3.3. Standard cycle and observation period

Directly after the termination of charging a standard cycle as described in Annex 8, Appendix 1 shall be conducted, if not inhibited by the tested-device.

The test shall end with an observation period of 1 h at the ambient temperature conditions of the test environment.

## Annex 8H

### Over-discharge protection

#### 1. Purpose

The purpose of this test is to verify the performance of the over-discharge protection. This functionality, if implemented, shall interrupt or limit the discharge current to prevent the REESS from any severe events caused by a too low SOC as specified by the manufacturer.

#### 2. Installations

This test shall be conducted, under standard operating conditions, either with the complete REESS (this maybe a complete vehicle) or with related REESS subsystem(s), including the cells and their electrical connections. If the manufacturer chooses to test with related subsystem(s), the manufacturer shall demonstrate that the test result can reasonably represent the performance of the complete REESS with respect to its safety performance under the same conditions.

The test may be performed with a modified tested-device as agreed by the manufacturer and the Technical Service. These modifications shall not influence the test results.

#### 3. Procedures

##### 3.1. General test conditions

The following requirements and condition shall apply to the test:

- (a) The test shall be conducted at an ambient temperature of  $20 \pm 10$  °C or at higher temperature if requested by the manufacturer;
- (b) At the beginning of the test, all protection devices which would affect the function of the tested-device and which are relevant for the outcome of the test shall be operational.

##### 3.2. Discharging

At the beginning of the test, all relevant main contactors shall be closed.

A discharge shall be performed with at least 1/3 C rate but shall not exceed the maximum current within the normal operating range as specified by the manufacturer.

The discharging shall be continued until the tested-device (automatically) interrupts or limits the discharging. Where an automatic interrupt function fails to operate, or if there is no such function then the discharging shall be continued until the tested-device is discharged to 25 per cent of its nominal voltage level.

3.3. Standard charge and observation period

Directly after termination of the discharging the tested-device shall be charged with a standard charge as specified in Annex 8, Appendix 1 if not inhibited by the tested-device.

The test shall end with an observation period of 1 h at the ambient temperature conditions of the test environment.

## Annex 8I

### Over-temperature protection

1. Purpose

The purpose of this test is to verify the performance of the protection measures of the REESS against internal overheating during the operation, even under the failure of the cooling function if applicable. In the case that no specific protection measures are necessary to prevent the REESS from reaching an unsafe state due to internal over-temperature, this safe operation must be demonstrated.
2. Installations
  - 2.1. The following test may be conducted with the complete REESS (maybe as a complete vehicle) or with related REESS subsystem(s), including the cells and their electrical connections. If the manufacturer chooses to test with related subsystem(s), the manufacturer shall demonstrate that the test result can reasonably represent the performance of the complete REESS with respect to its safety performance under the same conditions. The test may be performed with a modified tested-device as agreed by the manufacturer and the Technical Service. These modifications shall not influence the test results.
  - 2.2. Where a REESS is fitted with a cooling function and where the REESS will remain functional without a cooling function system being operational, the cooling system shall be deactivated for the test.
  - 2.3. The temperature of the tested-device shall be continuously measured inside the casing in the proximity of the cells during the test in order to monitor the changes of the temperature. The on-board sensor if existing may be used. The manufacturer and Technical Service shall agree on the location of the temperature sensor(s) used.
3. Procedures
  - 3.1. At the beginning of the test, all protection devices which affect the function of the tested-device and are relevant to the outcome of the test shall be operational, except for any system deactivation implemented in accordance with paragraph 2.2. above.
  - 3.2. During the test, the tested-device shall be continuously charged and discharged with a steady current that will increase the temperature of cells as rapidly as possible within the range of normal operation as defined by the manufacturer.
  - 3.3. The tested-device shall be placed in a convective oven or climatic chamber. The temperature of the chamber or oven shall be gradually increased until it reaches the temperature determined in accordance with paragraph 3.3.1. or 3.3.2. below as applicable, and then maintained at a temperature that is equal to or higher than this, until the end of the test.

- 3.3.1. Where the REESS is equipped with protective measures against internal overheating, the temperature shall be increased to the temperature defined by the manufacturer as being the operational temperature threshold for such protective measures, to insure that the temperature of the tested-device will increase as specified in paragraph 3.2. above.
- 3.3.2. Where the REESS is not equipped with any specific measures against internal over-heating, the temperature shall be increased to the maximum operational temperature specified by the manufacturer.
- 3.4. The end of test: The test will end when one of the followings is observed:
- (a) The tested-device inhibits and/or limits the charge and/or discharge to prevent the temperature increase;
  - (b) The temperature of the tested-device is stabilised, which means that the temperature varies by a gradient of less than 4 °C through 2 hours;
  - (c) Any failure of the acceptance criteria prescribed in paragraph 6.9.2.1. of the Regulation.

## Annex 9A

### Withstand voltage test

1. General  
Insulation resistance shall be measured after application of the test voltage to the vehicle with the on-board (built-in) charger

2. Procedure  
The following testing procedure shall be applicable to vehicles with on-board (built-in) chargers:

Between all the inputs of the charger (plug) and the vehicle's exposed conductive parts including the electrical chassis if present, apply a AC test voltage of  $2 \times (U_n + 1200)$  V rms at a frequency of 50 Hz or 60 Hz for one minute, where  $U_n$  is the AC input voltage (rms).

The test shall be performed on the complete vehicle.  
All the electrical devices shall be connected.

Instead of the specified AC voltage, the DC voltage whose value is equivalent to the specified AC voltage's peak value may be applied for one minute.

After the test, measure the insulation resistance when applying 500V D.C. between all the inputs and the vehicle's exposed conductive parts including the electrical chassis if present.

## Annex 9B

### Water resistance test

1. General  
The isolation resistance shall be measured after the water resistance performance test has been conducted.
2. Procedure  
The following testing procedure shall be applicable to vehicles with on-board (built-in) charger. .

In accordance with the test procedure to evaluate IPX5 protection against ingress of water, the Water Resistance shall be carried out by:

1. Spraying with a stream of fresh water the enclosure from all practicable directions with a standard test nozzle as shown in figure 1. .

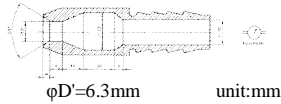


Figure 1:- Test device to verify protection against water jets (hose nozzle)

The conditions to be observed are as follows:

- -internal diameter of the nozzle: 6.3 mm;
  - -delivery rate: 12.5l/min  $\pm 5\%$ ;
  - -water pressure: to be adjusted to achieve the specified delivery rate;
  - -core of the substantial stream: circle of approximately 40 mm diameter at 2.5 m distance from nozzle;
  - -test duration per square metre of enclosure surface area likely to be sprayed: 1 min;
  - -minimum test duration: 3 min;
  - -distance from nozzle to enclosure surface: between 2.5 m and 3 m.
2. Subsequently, apply 500V DC between all the inputs and the vehicle's exposed conductive parts including the electrical chassis if present to measure the insulation resistance.