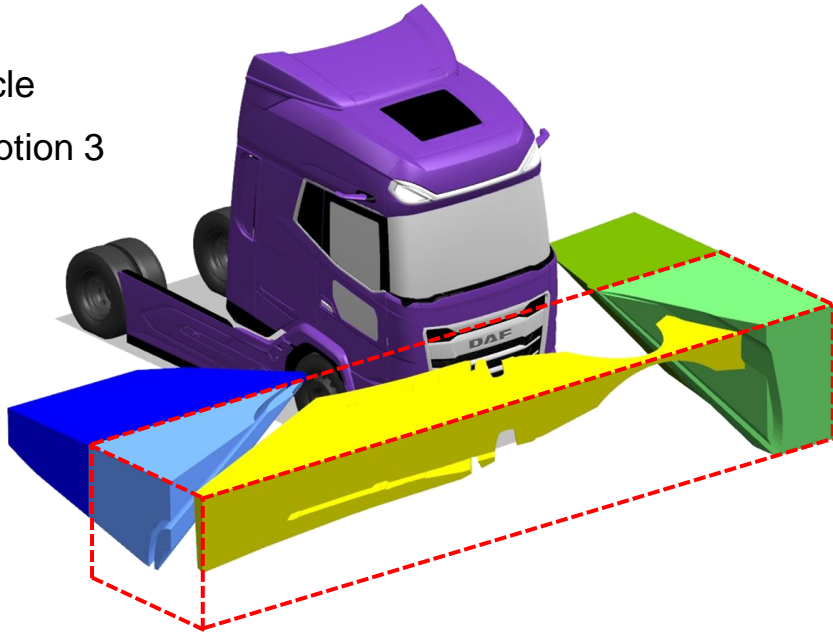


COMPARISON OF OPTIONS

LHD Vehicle
3D view option 3



LHD Vehicle
3D view option 4

