

Iso Booster fixture status 22 June 2016

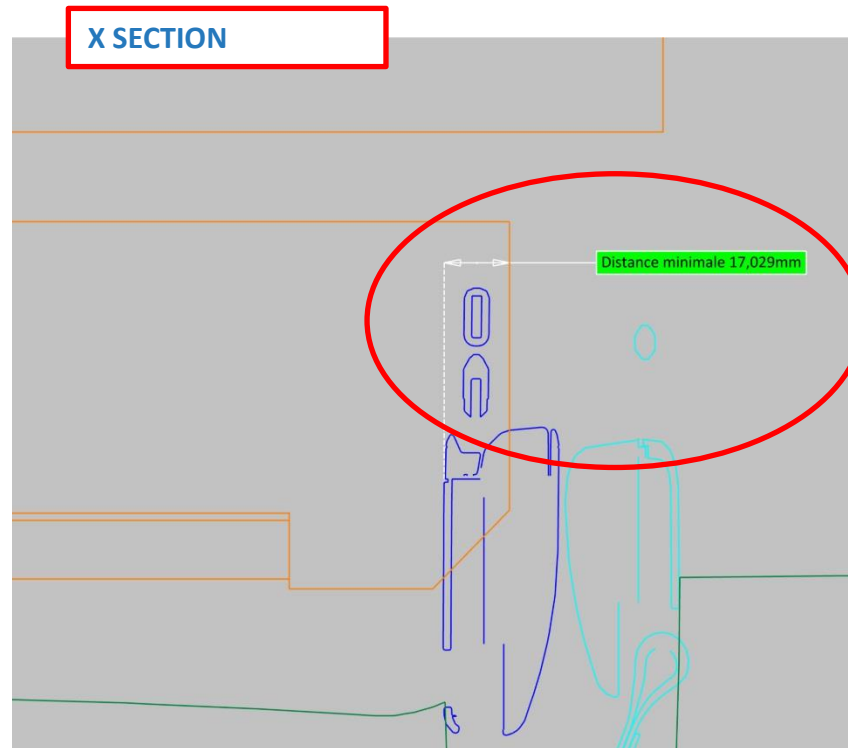


ISO/CD 13216-3 CD Ballot results

- CD ballot results were positive.
- However France and Spain had a negative vote.
- The ISO committee decided to take into account the comments from France to improve accessibility to the buckle.

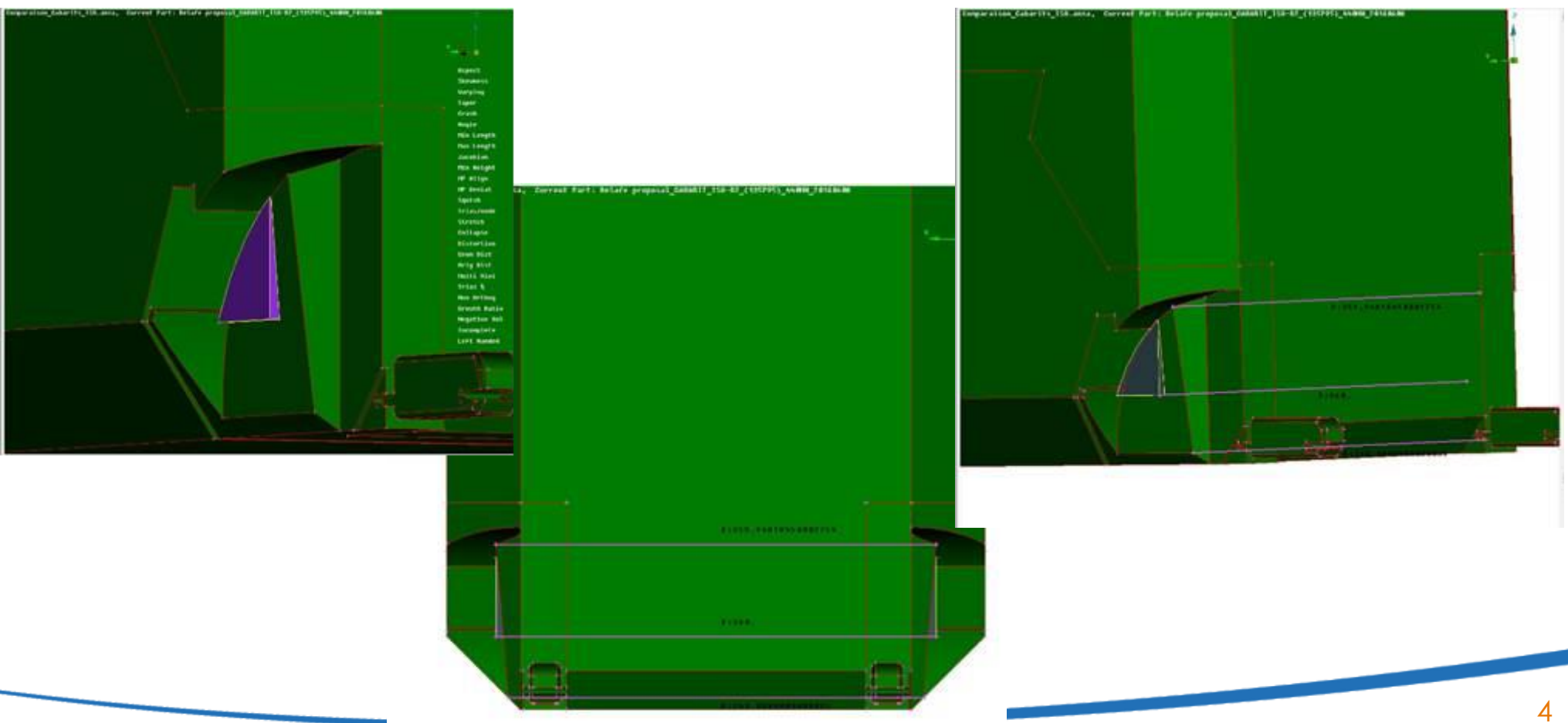
Comments from France

- Potential interference with the buckling area

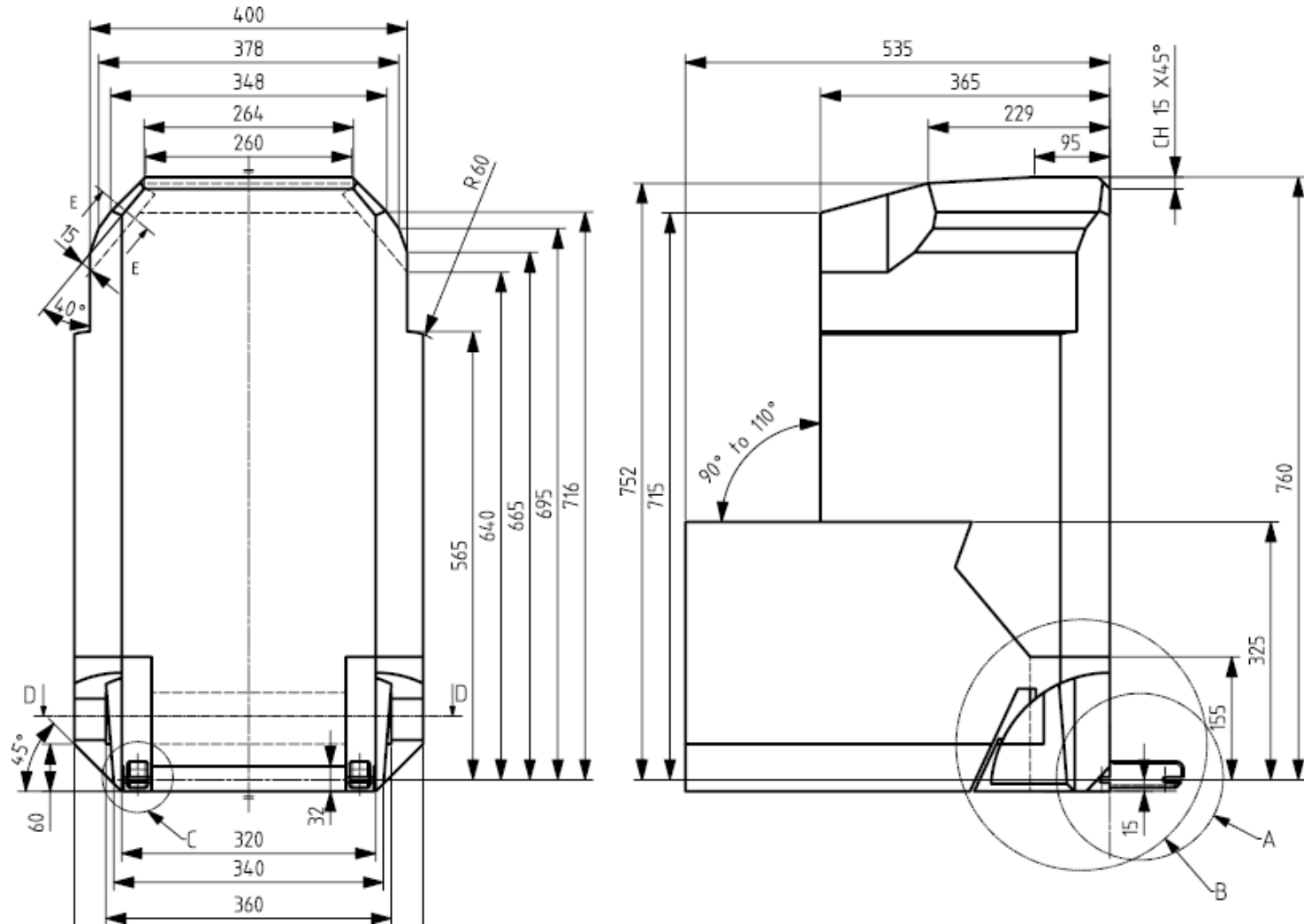


Agreed proposal

- Leave accessibility to the buckle preserving volume needed for CRS



Agreed proposal



Next Step

- The agreed modification will be included in document 13216-3 for DIS ballot

Care for Precious Life