

TF Status and R10 development October 2016

Ariel LECCA - OICA EMC TF pilot

Frank Golisch - OICA EMC TF copilot

UN R10.05 – Current development

(Proposal from China)

- OICA has reviewed the proposals from China (GRE/2015/35) and have sent comment to the Chinese delegate.
- All agreed modifications will be included in a draft revised version of UN R10.05.
- More details in agenda item 4.



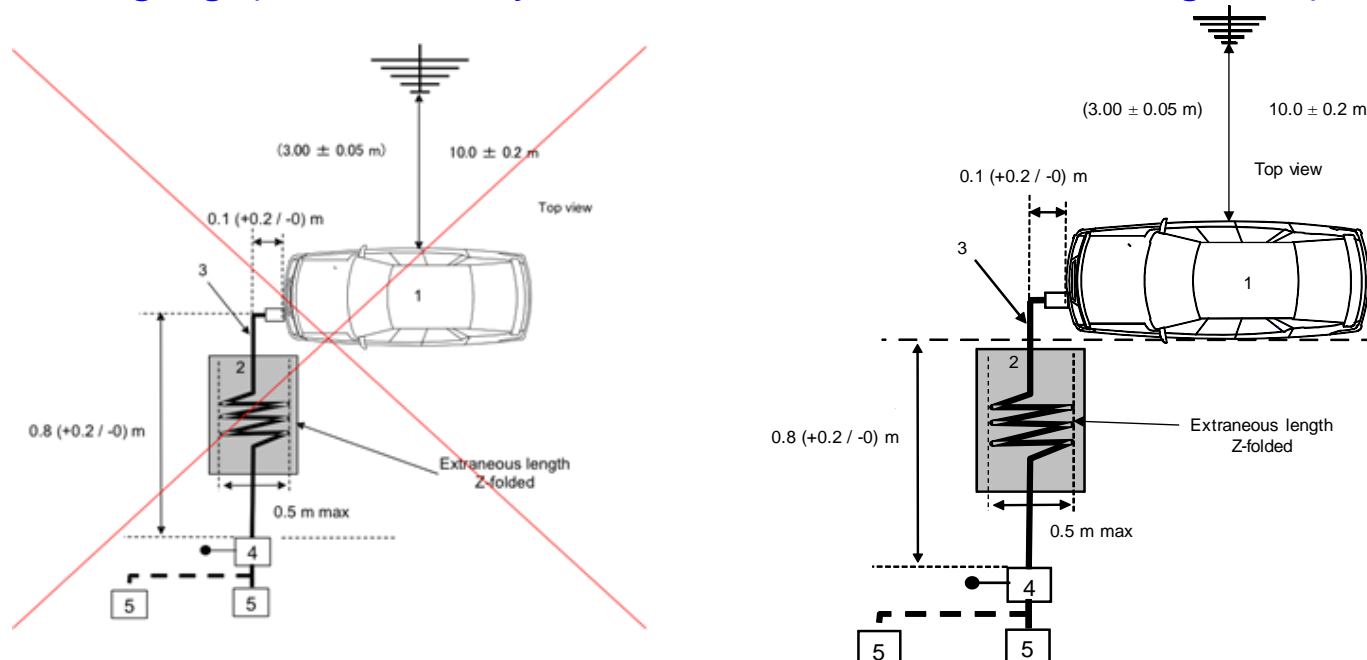
Discussion today

UN R10.05 – Development Details

(Other modifications – example)

Focus of the work on the actual version of the R10 :

- correction of technical and editorial errors on **figures of test-setups of RESS charging (consistency with last ISO and CISPR figures)**:



UN R10.05 – Development Details

Focus of the work on the current version of R10 :

- clarification of the possible usage of **Open Test Sites** and **Open Area Test sites** (e.g no use of OTS for ESA tests)
- unification of the wording for semi-anechoic chambers : "**absorber lined shielded enclosure (ALSE)**"
- Clarification for ESA in charging mode bench test between "**table-standing**" and "**floor-standing**" set-up.
- Detailed description of the test-setup of RESS testing
- Aligning the figures and descriptions of **Open Test Sites** with **CISPR 12**
- Implementation of **some further changes, proposed by China** and discussed internally the OICA TF EMC

UN R10.05 – Roadmap

- Preparation of a clean version of the draft R10.05
- Propose a [working document before deadline of 9 Jan. 2017](#), in order to present the draft to GRE-77 (4-7 April 2017), [as draft Supplement 1 of R10.05](#) (no major technical changes).
- If any complementary proposals / modifications are brought between January and April, an informal document will be issued to amend the WD
- Distribution of the draft to GRE TF EMC in the course of November 2016
- Review of the documents by OICA and TF EMC before deadline



Finalization of the draft WD Suppl. 1 to R10.05 by December 2016

UN R10.05 – Clarification requests on TP

- OICA has reviewed the [EC requests concerning Transitional Provisions](#) (see document TF-EMC-03-04)
- OICA agreed that some § still need clarification
- OICA agreed to [send the request from EC to all CPs in the frame of the TF EMC in order to have the interpretation of these provisions.](#)



Discussion today

Further developments of R10 – OICA ideas

- Several technical topics for the further development of the R10 were discussed internally at OICA .
- OICA agrees that creation of a technology roadmap could be useful to identify future trends and prepare an R10.06 proposal.
- In 2017 a draft of such roadmap will be designed by OICA and supplied to TF EMC for further discussions and opinions.



OICA to prepare a technology roadmap