



# **ECE R129 Phase 2 Envelop Fitting**

# R129 Requirements

## 6.3.2.2. External dimensions

...

### 6.3.2.2.2. Non-Integral Class Enhanced Child Restraint Systems

The maximum external dimensions for the width, height and depth of the Enhanced Child Restraint System and the locations of the ISOFIX anchorages system if any, with which its attachments shall engage, shall be defined by the i-Size booster seat fixture as defined in paragraph 2.17.2. of this Regulation.

- (a) i-Size booster seat Enhanced Child Restraint Systems shall fit within the ISO/B2 size envelope;
- (b) Specific vehicle booster seat Enhanced Child Restraint Systems shall fit:
  - (i) in vehicle(s) specified in a list; or
  - (ii) at least in one of ISO/B2 –ISO/B3 size envelope as described in Annex 17, Appendix 2 of regulation No. 16.

# R129 Requirements

When conducting this assessment, the non-integral Enhanced Child Restraint System shall be adjusted to accommodate children of 135 cm stature (height, depth and width dimensions as defined in Annex 18) or to the largest size of its declared stature range if the upper limit is below 135 cm. If the Non-integral Enhanced Child Restraint System is capable of being adjusted to different positions of seat surface inclination, the fitting assessment shall be done in at least one position.

...

# CRS-59-08e Proposal R16 add B2 B3 for IG CRS

## 2.38. "Child restraint fixture" (CRF)

means a fixture according to one out of the eight nine ISOFIX fixtures size classes defined in paragraph 4. of annex 17 - appendix 2 of this Regulation, and particularly whose dimensions are given from figure 1 to figure 78 in the previous mentioned paragraph 4. Those child restraint fixtures (CRF) are used, in this Regulation, to check what are the ISOFIX child restraint systems size classes mentioned in Regulation No. 44 or in Regulation No. 129 which can be accommodated on the vehicle ISOFIX positions. Also one of the CRF, the so-called ISO/F2 (B), which is described in figure 2 of the previous mentioned paragraph 4., is used in Regulation No. 14 to check the location and the possibility of access to any ISOFIX anchorages system.

or

# CRS-59-08e Proposal R16 add B2 B3 for IG CRS

or

means a fixture, according to one of the two "booster seat" fixtures defined in annex 17 - appendix 5 of this Regulation, and particularly whose dimensions are given in figures 2 and 3 of Annex 17, Appendix 5 of Regulation No. 16. These fixtures are used, in this regulation, to check the booster seat size classes mentioned in Regulation No. 129 which can be accommodated on some vehicle seating positions, if any. In particular, these fixtures shall be assessed without ISOFIX attachments, according to Regulation No. 16.



# CRS-59-08e Proposal R16 add B2 B3 for IG CRS

## Annex 17 – Appendix 5

Figure 1 : Positioning in Seat

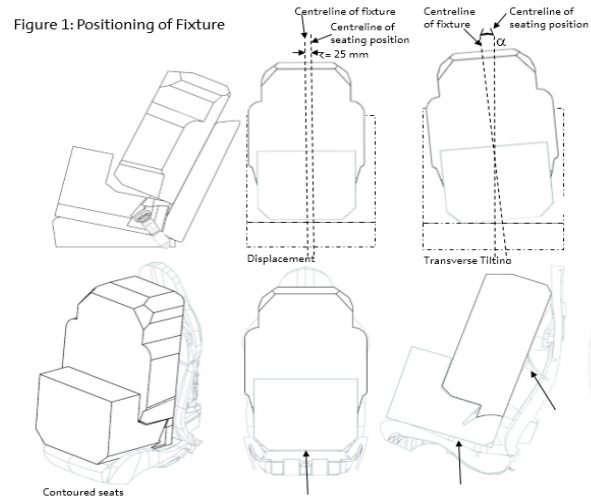


Figure 2 - ISO/B2

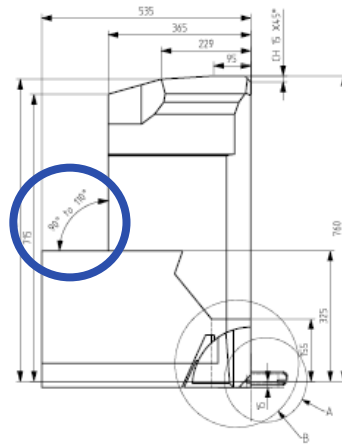
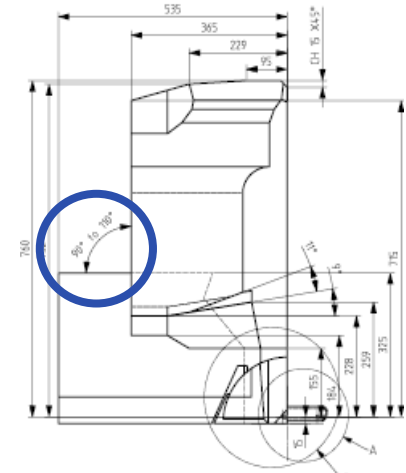


Figure 3: ISO/B3



# Open issue

- Since the envelop is articulated, how to check that CRS fits into the envelop, CRS may fit in one angle position (i.e. 110°) and not in the other ones (i.e. 90°)
- Annex 17 Appendix 5 Open to interpretation, the text refer to CRS adjustability or to envelop, or both.

This interpretation can cause the possibility that some CRS can't be installed into a vehicle approved for the same class of Vehicle Seat Fixture

# Open issue

## **TSG Proposal:**

I-size compatibility with the VSF, shall be guaranteed at least in one ECRS position in all backrest angle range (90°-110°); ECRS position can be changed through backrest angle range to fulfill requirement (i.e. CRS adjustment and configuration to fulfill 90° backrest VSF angle requirement can be different than the one which fulfills 110° backrest VSF angle);

Vehicle Specific ECRS compatibility with VSF shall be guaranteed at least in one ECRS position at one backrest angle.