



C L E P A

*European Association of
Automotive Suppliers*

Proposal for an additional measuring device drawing for shield systems

64th meeting of the UN Informal Group on CRS

9th March 2017, Paris

Background



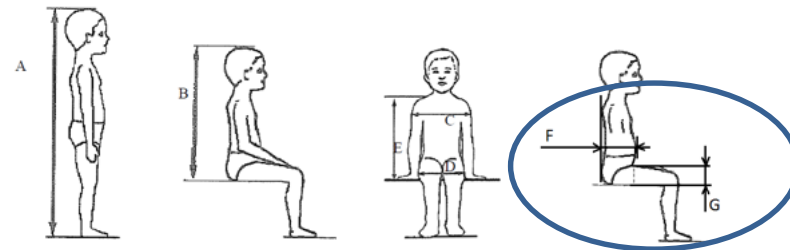
- CLEPA proposal on shield systems includes new internal dimensions (.../GRSP/2017/15&16)

ECE/TRANS/WP.29/GRSP/2017/xx

Annex 18, amend to read: |

Figure 1.

“



Stature	Min Sitting height cm	Min Shoulder breadth cm	Min Hip breadth cm	Min Shoulder height cm	Max Shoulder height cm	Min Abdomen depth cm	Max Abdomen depth cm	Minimum Upper leg thickness cm	Minimum Upper leg thickness cm
A	B	C	D	E1	E2	F1	F2	G1	G2
	95%ile	95%ile	95%ile	5%ile	95%ile	5%ile	95%ile	5%ile	95%ile

- New measuring device drawings needed to complete the proposal

Aim



- To specify new drawings consistent in style and detail to those in Figure 2 of Annex 18:

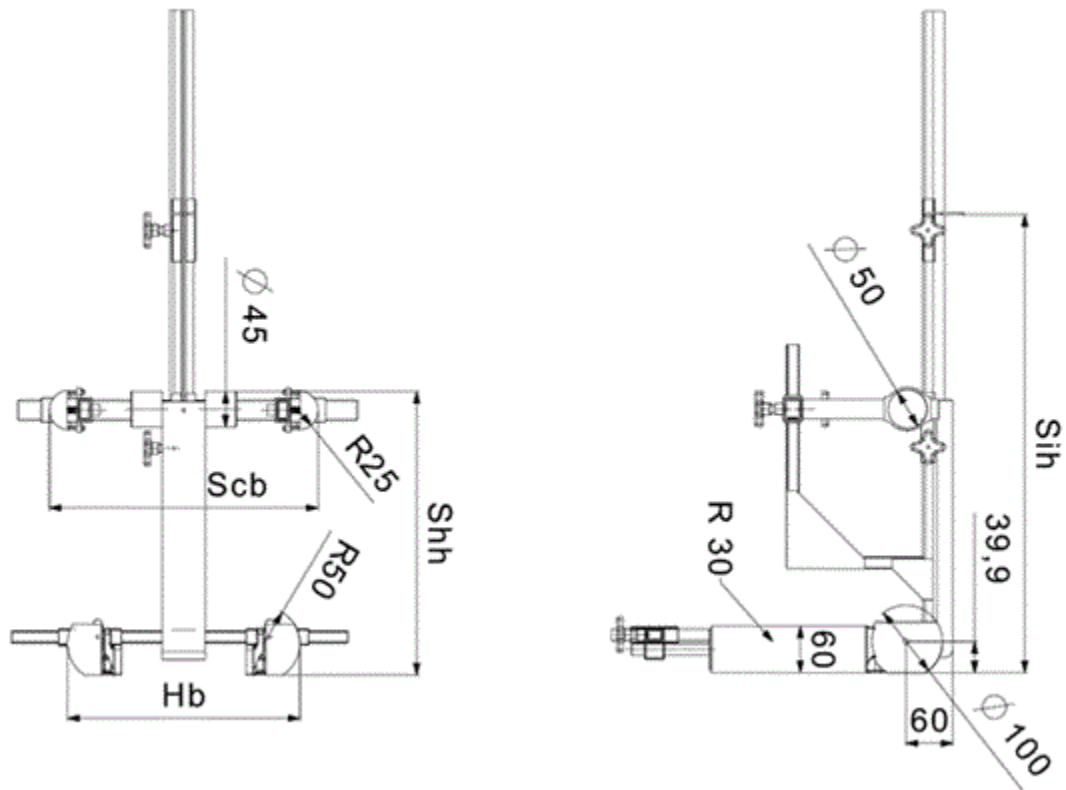


Figure 2: Side and Front View of the measuring device
(AS CURRENTLY SPECIFIED)

Drawing proposal

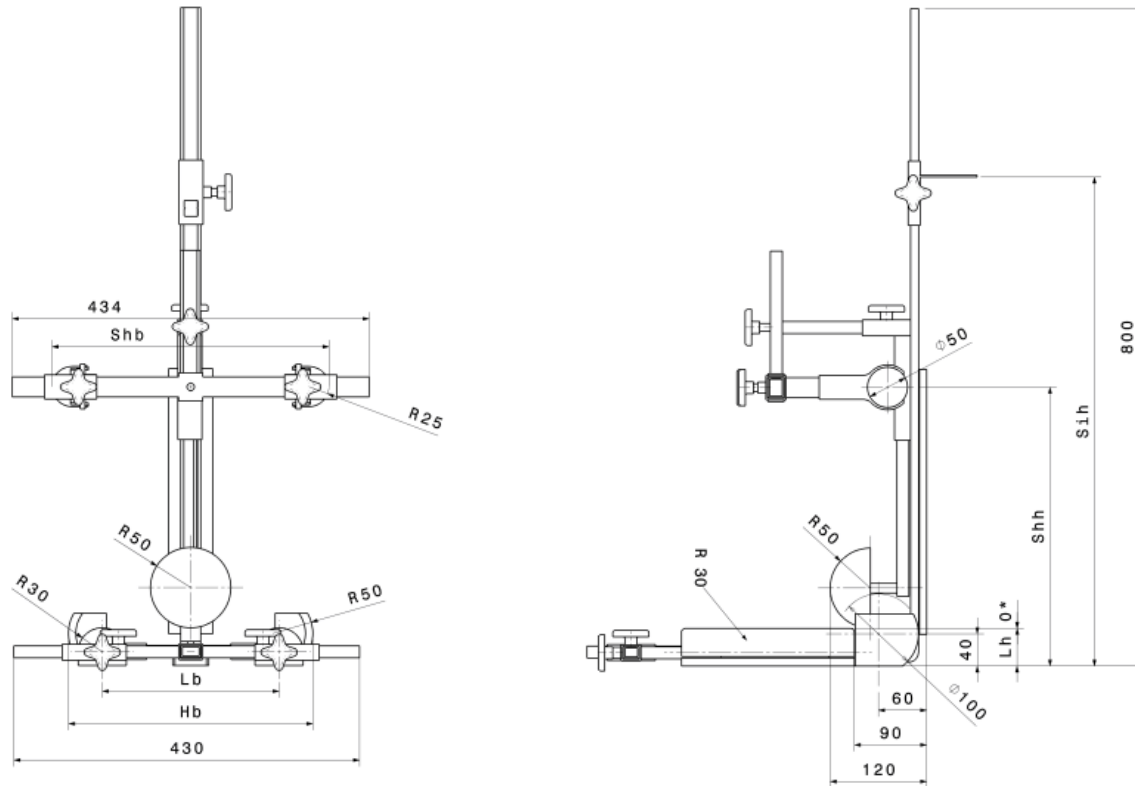
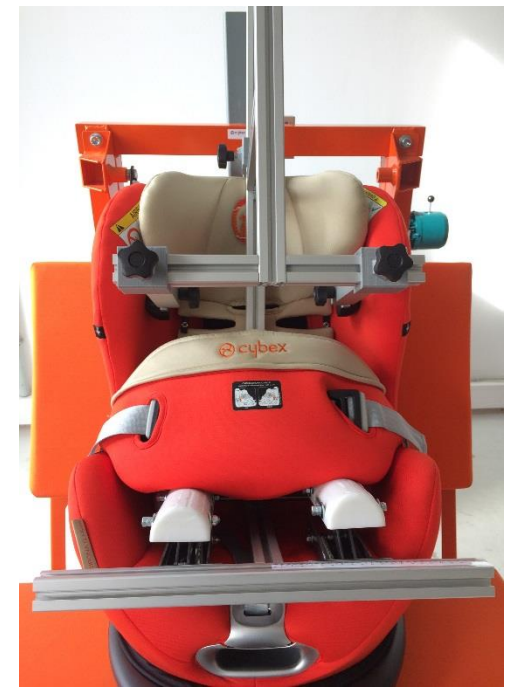
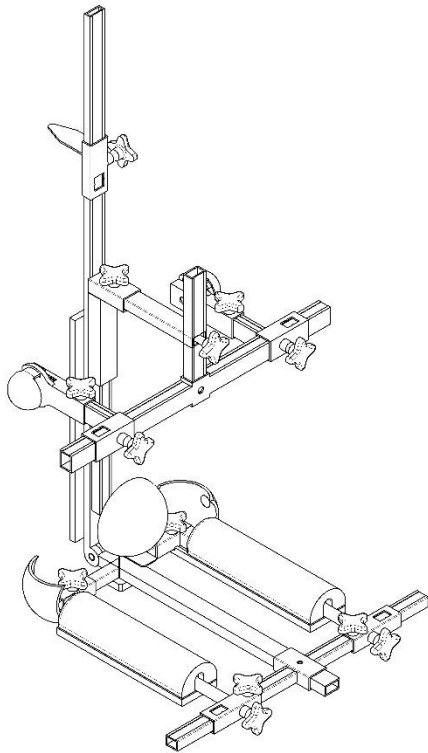


Figure 3: (PROPOSED)

Example device created from drawings



(Other solutions are permitted by the drawing)