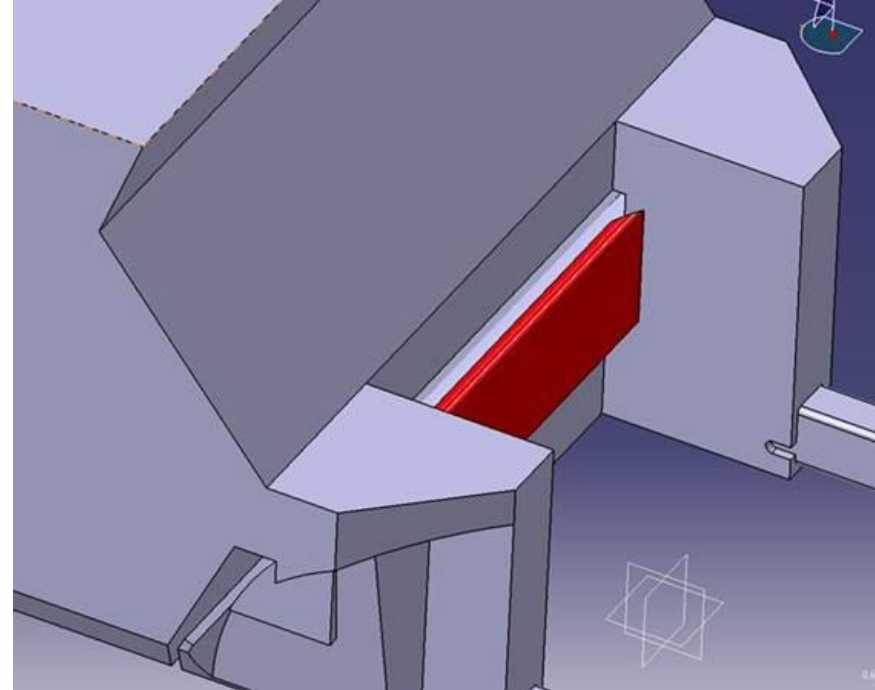
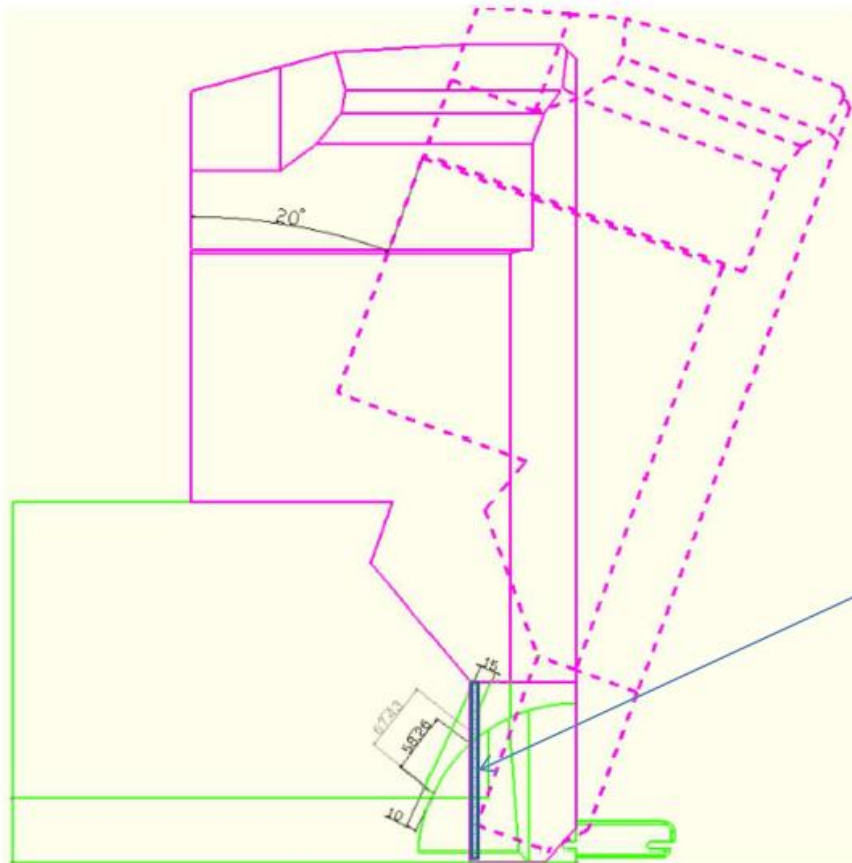




Clarification proposals for ISO B2 fixture

1. Solve interference between cushion & seatback parts
2. Facilitate the path seatbelt path in the cushion part
3. No need to define the centre of gravity for the ISO B2

1. Solve interference between cushion & seatback parts



It is necessary to cut the interference part of seat back.

2. Seatbelt path in the cushion part

- Open the slit **on the upper zone** instead of lower
- Insure **15mm width** for the slit
- Enlarge to **67,5mm the rounded** area

⇒ easier to install the seatbelt

