



LED SUBSTITUTE PROPOSAL

INTRODUCTION:

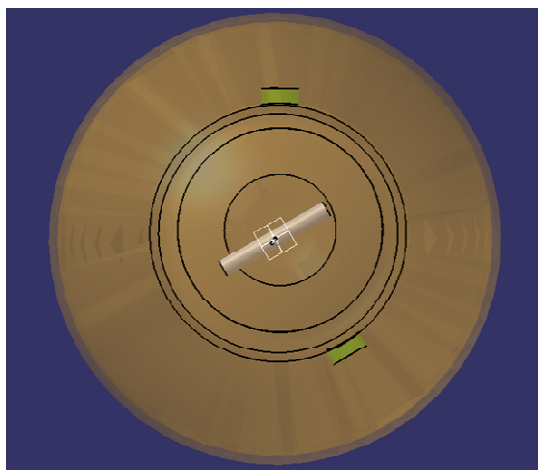
If a LED Substitute is installed on a lamp, the lamp must be approved with R37 and optionally with LED substitutes.

During the last session in October, GRE pointed out the possible misuse of LED substitutes as retrofits in lamps and/or vehicles that were not type approved for using such light sources.

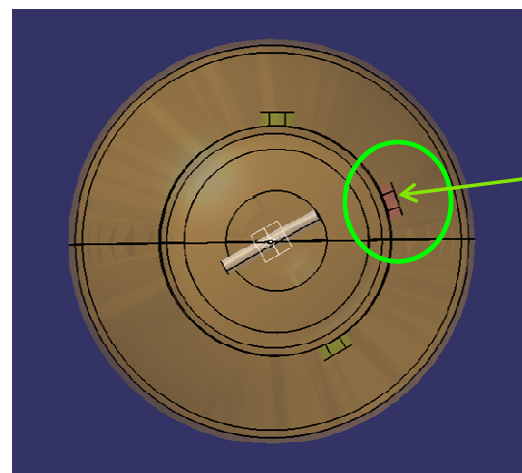
The proposed measures, such as consumer warning on packaging and a website with a list of compatible vehicle models, were considered as not sufficient

A different cap for LED substitutes compatible with filament light sources can solve this issue.

DIFFERENT SOCKET FOR PY21W/LED



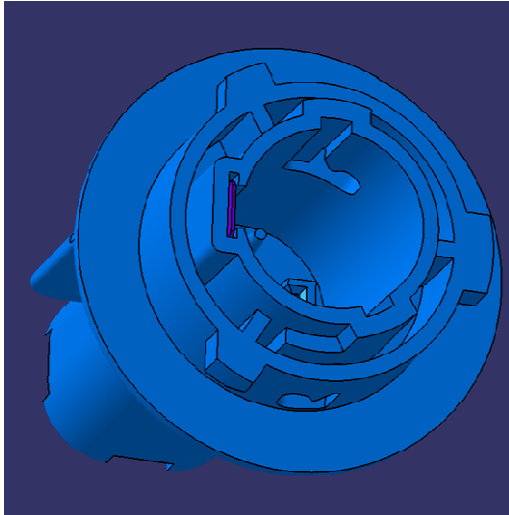
PY21W



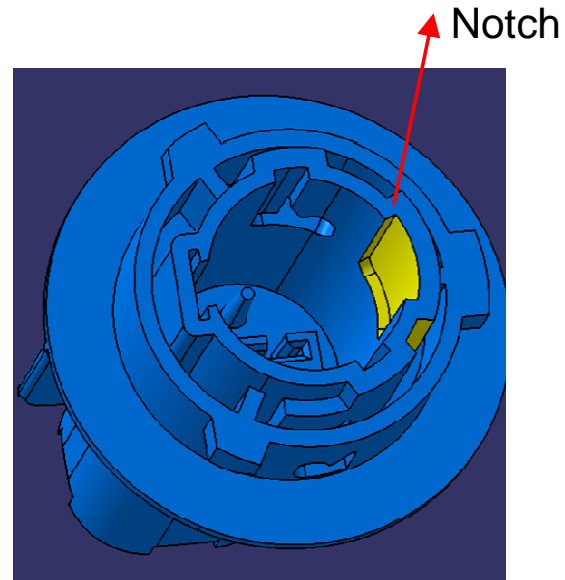
New pin

PY21/ LED

BULB HOLDER



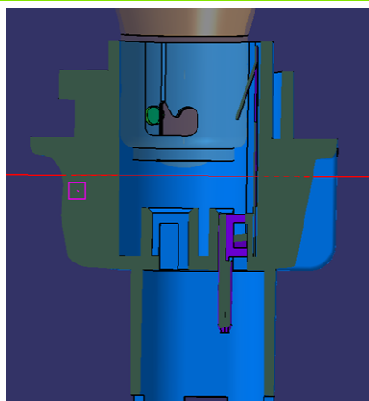
Existing PY21W Bulb holder



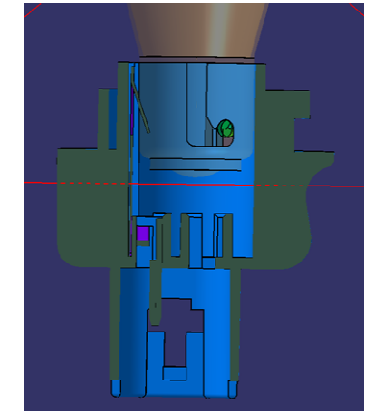
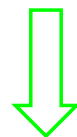
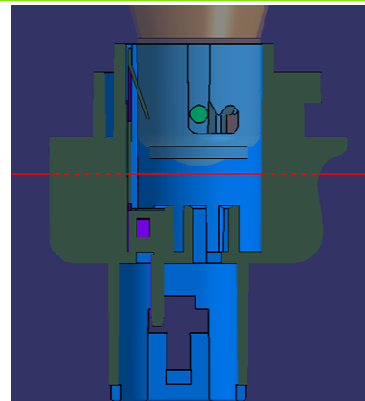
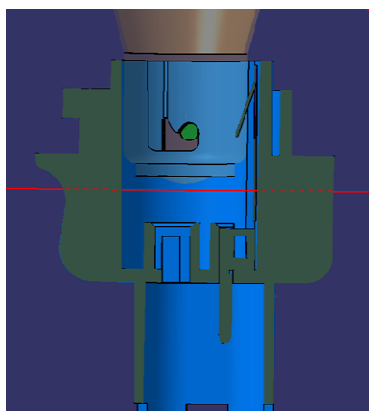
Proposed PY21/LED bulb holder

MOUNTING OF PY21W IN THE BULB HOLDER

**Bulb
unlocked**



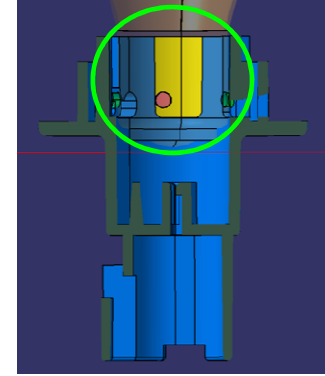
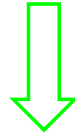
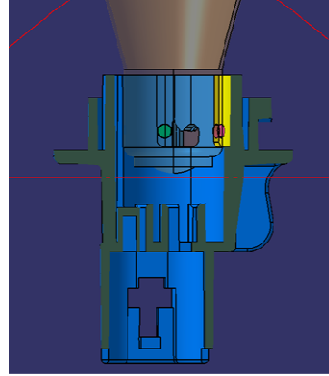
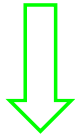
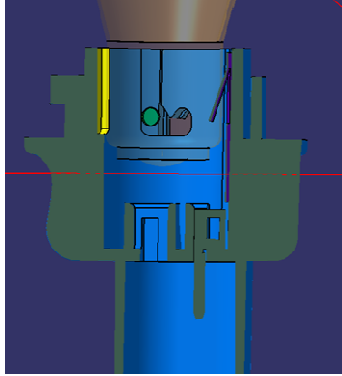
**Bulb
locked**



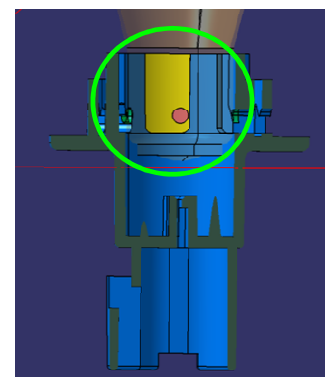
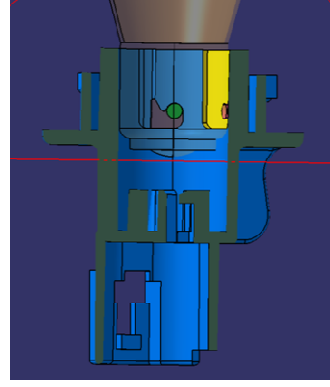
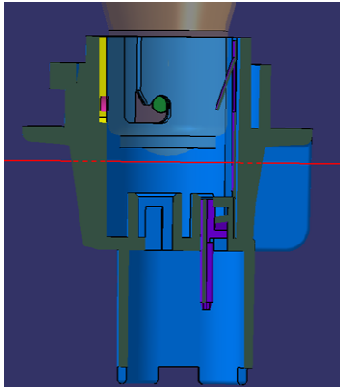
In this case, the mounting of PY21/LED is not possible due to the third pin on the socket.

MOUNTING OF PY21W/LED IN THE BULB HOLDER

PY21W/LED
unlocked



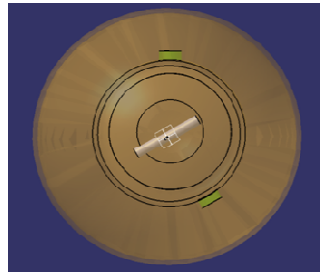
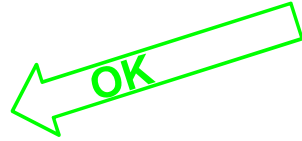
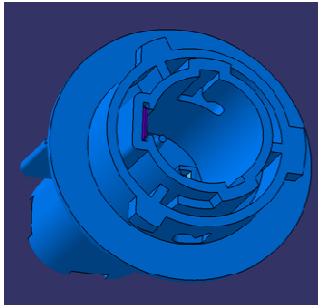
PY21W/LED
locked



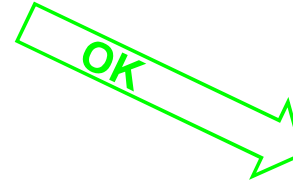
In this case, the mounting of PY21W and PY21/LED is possible due to the notch on the bulb holder.

MOUNTING OF PY21W/LED IN THE BULB HOLDER

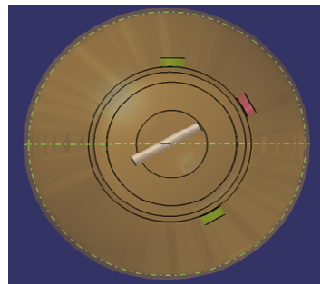
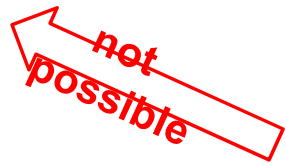
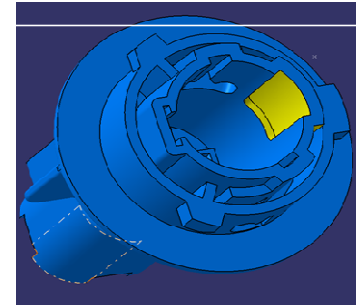
Existing PY21W Bulb Holder



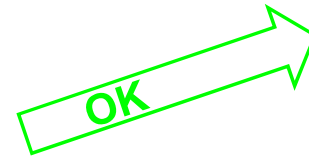
PY21W



Proposed PY21W – PY21W/LED bulb holder

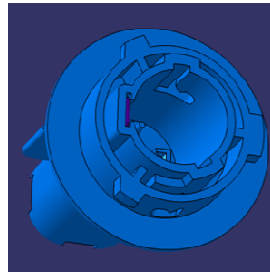


PY21W/LED



R37 and LED SUBSTITUTES in the Lamps each with its specific cap.

If the lamp is approved for PY21W (R37) use only :

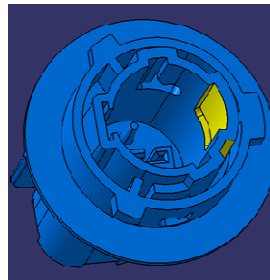


OK



Can not be put in
the lamp

If the lamp is approved for PY21W (R37) and PY21/LED (R128):



OK



OK



SMART TECHNOLOGY
FOR SMARTER CARS