

PEDESTRIAN PROTECTION LOWER LEG IMPACT TEST AREA

CORNER OF BUMPER AT SERIES BMW VEHICLES

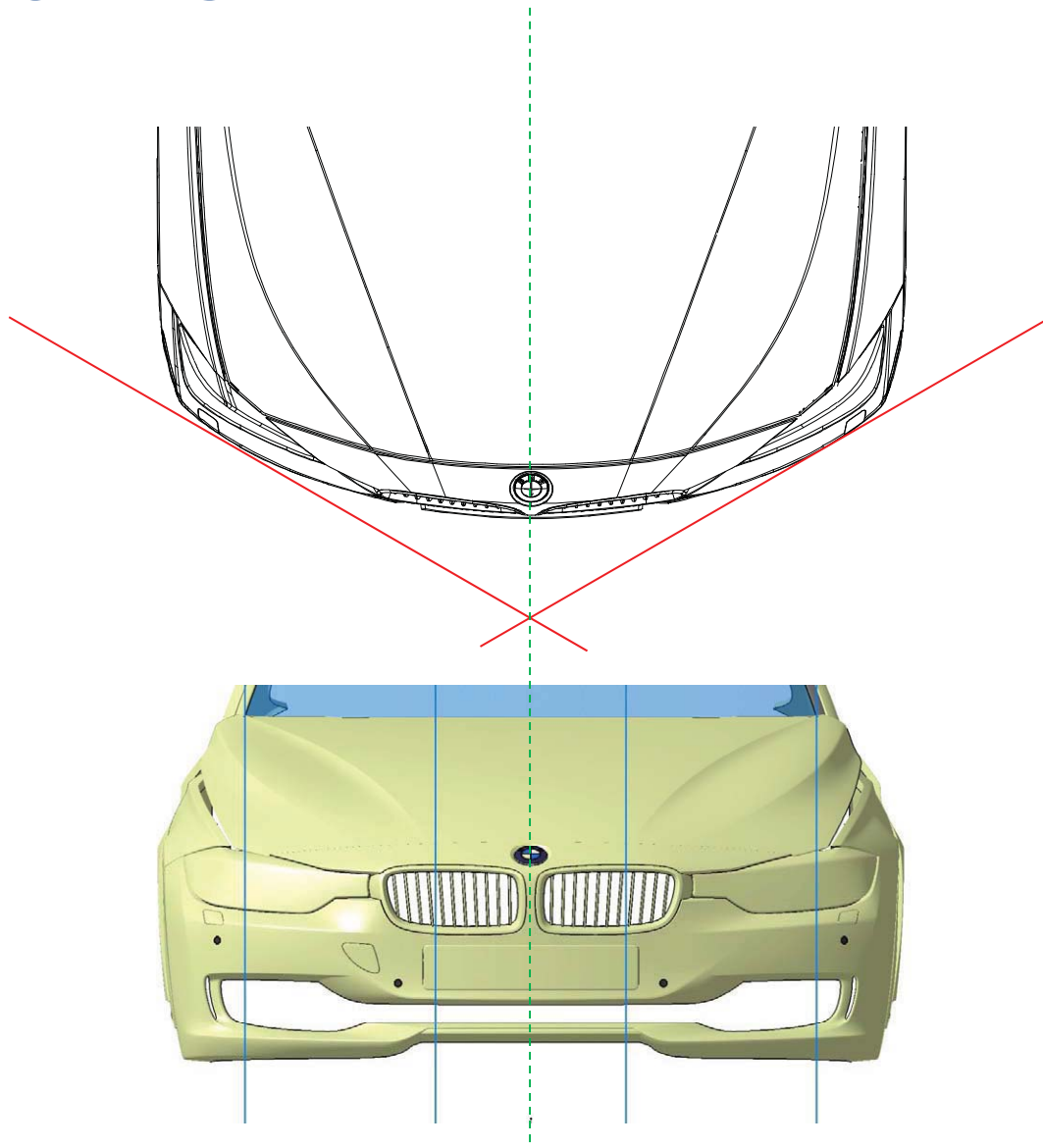
EG-82, 03.12.2012

**BMW
GROUP**



PEDESTRIAN PROTECTION LOWER LEG IMPACT TEST AREA

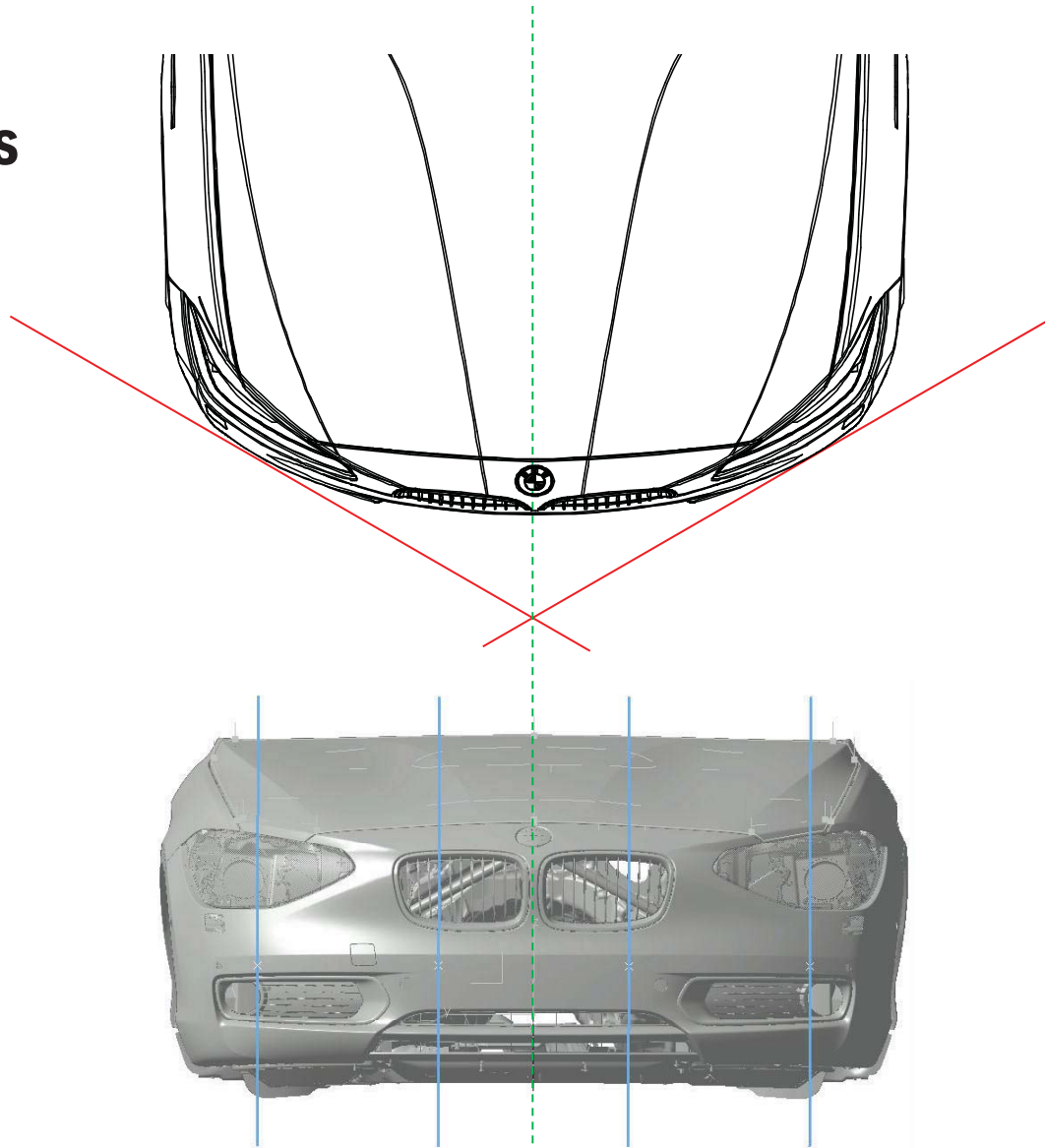
F30 – BMW 3'series



Corner of Bumper
 $Y = \pm 690 \text{ mm}$

PEDESTRIAN PROTECTION LOWER LEG IMPACT TEST AREA

F20 – BMW 1'series



Corner of Bumper
 $Y = \pm 651 \text{ mm}$