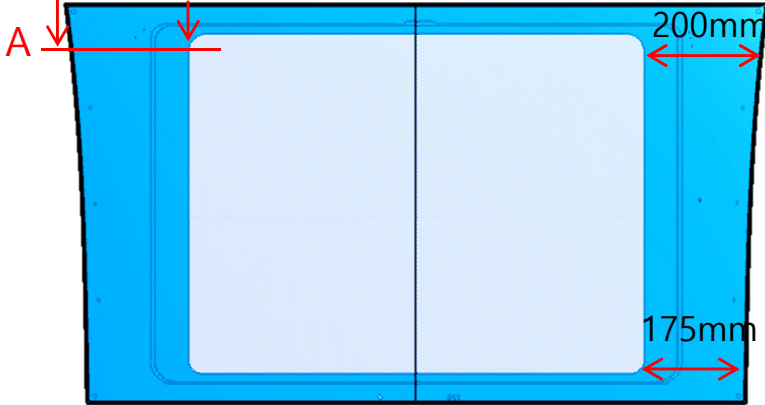
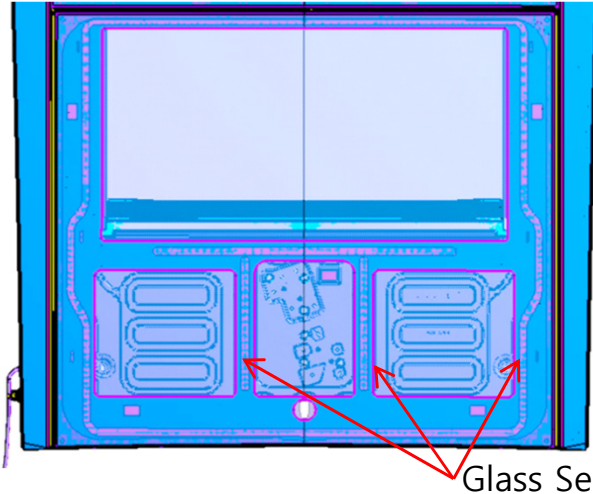
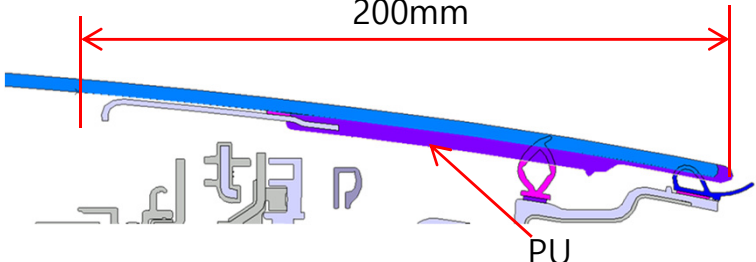


# Panorama Sunroof Glass

Item	Front Glass	Rear Glass
Geometry		
Problem	<p>- For the non side-molding glass, the elimination of ceramic coated area allow the sunlight penetration in PU area, and glass could be broken off.</p> 	<p>- Glass sealers are applied to prevent the booming and rattle noise near the motor mounting part, the ceramic coated areas are need to protect the sealer from the sunlight.</p>