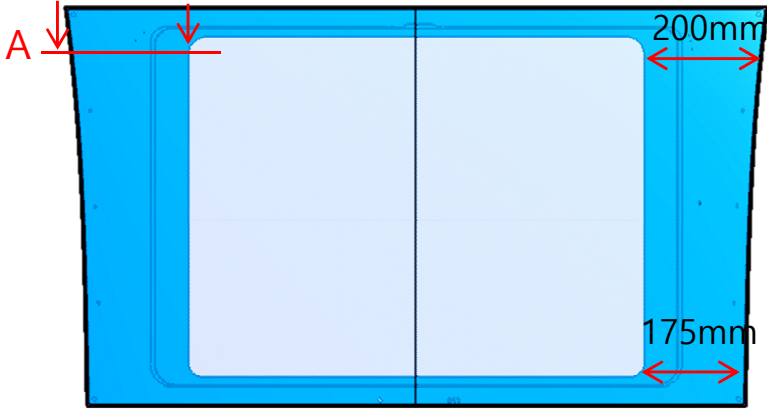
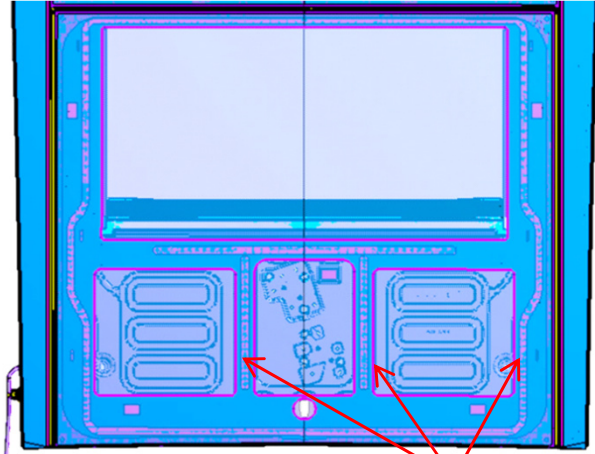
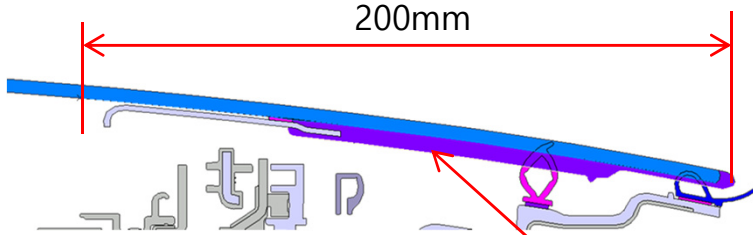


Panorama Sunroof Glass

Item	Front Glass	Rear Glass
Geometry		 <p style="text-align: right;">Glass Sealer</p>
Problem	<p>- For the non side-molding glass, the elimination of ceramic coated area allow the sunlight penetration in PU area, and glass could be broken off.</p>  <p style="text-align: center;">Section A</p>	<p>- Glass sealers are applied to prevent the booming and rattle noise near the motor mounting part, the ceramic coated areas are need to protect the sealer from the sunlight.</p>