

2020-01-17

# REVERSING MOTION

## PROPOSALS FOR VRU PROXI



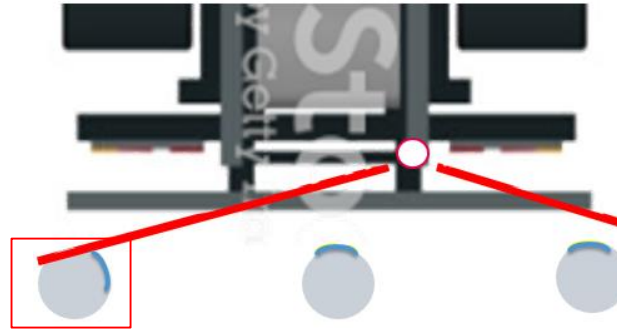
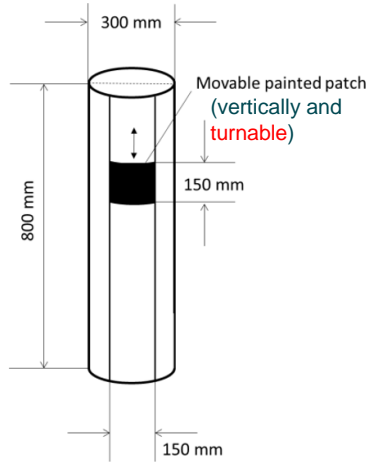
# Agenda



- 1 Moveable test objects
- 2 Optimisation for semi trucks
- 3
- 4
- 5
- 6
- 7
- 8
- 9

# MOVEABLE TEST OBJECTS

Cone of vision of the camera can't capture the whole patches



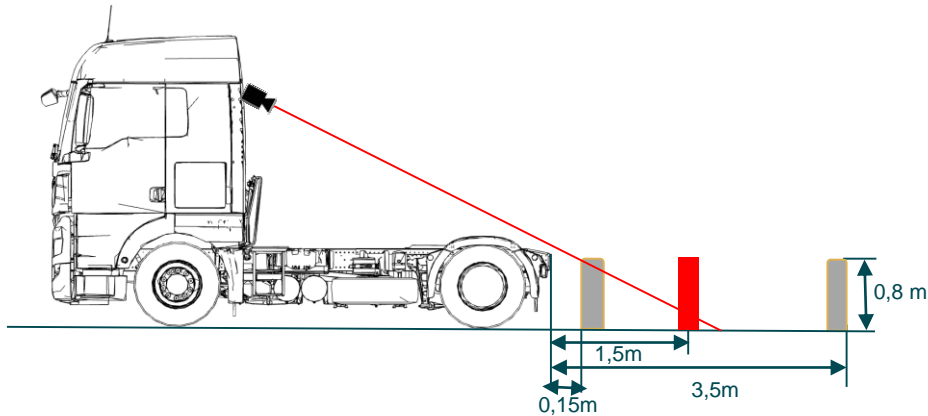
Cone fully visible, but patch needs to be turned towards camera

A 0.15 m x 0.15 m area or the top of the test object shall be visible at least at one position on each test object

- Otherwise huge number of versions for camera support needed

# OPTIMISATION FOR SEMI TRUCKS

Test objects in row 2 must be seen completely and camera must be placed in the rear



- View from backside of the cabin provides better view of VRU at solo semi truck rear
- Test objects in row 2 shall at least be XX % visible (e.g. 50%)
- Increase test objects to 100cm for semi trucks
- Move test objects 15cm to the back